



Feature -


Water proof IP67 sealed,
Dimension: 7.1mm(L)x6.0mm(W)x5.3mm(H),
SMT terminal,
Bi-color led illuminated.

Applications -

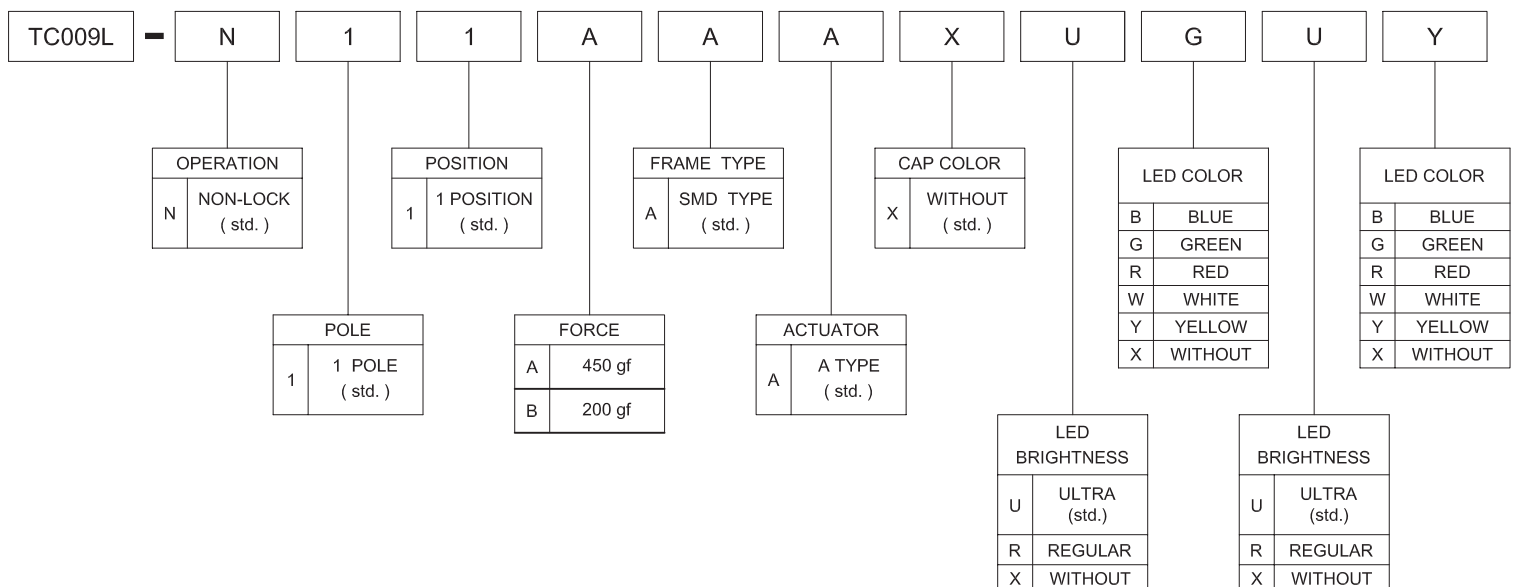
Consumer Products
Instrumentation
Computer Products
Communication Equipments

► SPECIFICATIONS

SWITCH SPECIFICATIONS	
POLE - POSITION	Momentary action , SPST
CONTACT RATING	12 V DC , 50 mA
CONTACT RESISTANCE	50 mΩ MAX. 5 V DC ; 1 A , by Method of Voltage DROP
INSULATION RESISTANCE	1000 MΩ MIN. 100 V DC for 1 minute
DIELECTRIC STRENGTH	Breakdown is not Allowable ; 250 V AC for 1 Minute
OPERATING FORCE	200 ± 80 gf ; 450 ± 150 gf
OPERATING LIFE	100,000 cycles
OPERATING TEMPERATURE RANGE	-20°C ~ 70°C
TOTAL TRAVEL	0.20 ± 0.10 mm

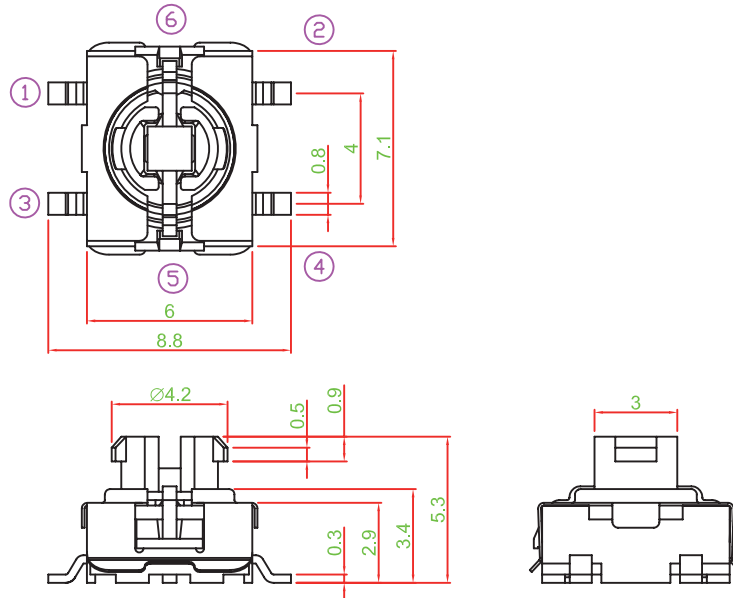
LED SPECIFICATIONS							
ATTENTION  LEDs are Electrostatic Sensitive devices	Unit	Value / LED Color					
		Blue	Green	Red	Yellow		
FORWARD CURRENT	If	mA	20	20	20	20	
REVERSE VOLTAGE	Vr	V	5.0	5.0	5.0	5.0	
REVERSE CURRENT	Ir	μA	10	10	10	10	
FORWARD VOLTAGE@20mA	Vf	V	3.5-3.8	2.0-2.5	2.0-2.5	2.0-2.5	
LUMINOUS INTENSITY@20mA	Iv	mcd	45	20	80	80	

► HOW TO ORDER

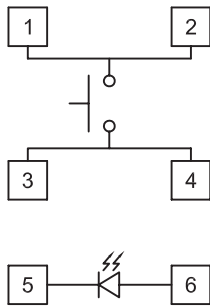


► DIMENSION

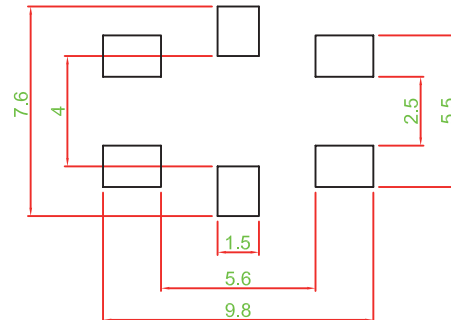
► TC009L-N11AAAX□□□□



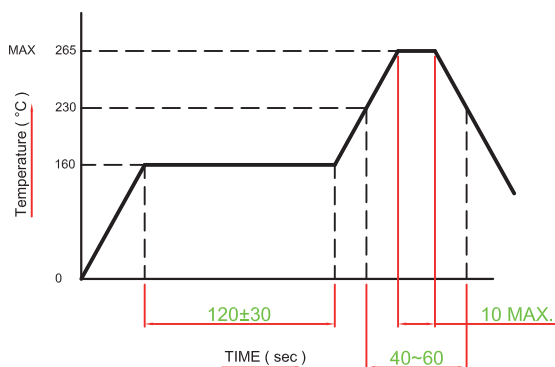
► CIRCUIT DIAGRAM



► P.C.B. LAYOUT



► REFLOW SOLDERING



► MATERIAL

- COVER : STAINLESS STEEL
- ACTUATOR : LCP+GF
- BASE : LCP+GF
- TERMINAL : BRASS SILVER PLATING
- SPRING PLATE : PHOSPHOR BRONZE SILVER PLATING

► UNIT WEIGHT

- TC009L : 0.23 ± 0.01 g / pc