

Feature -

small size
1P10T

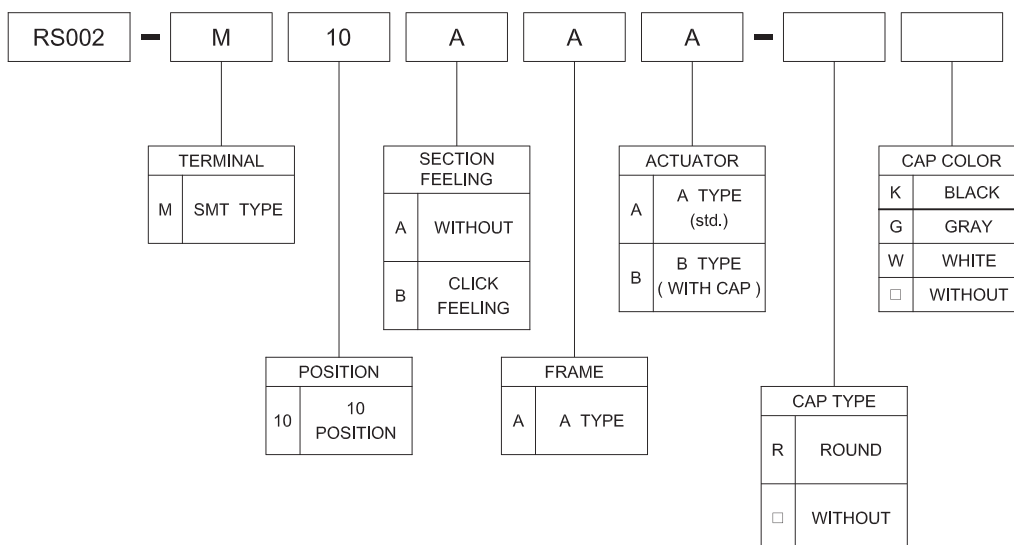
Application -

digital cameras
other audio / video devices

► SPECIFICATIONS

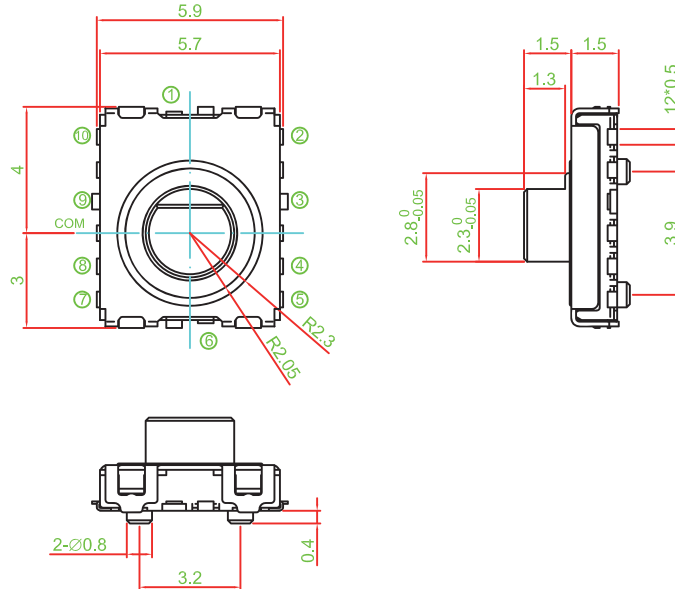
SWITCH SPECIFICATIONS	
POLE - POSITION	SMT TYPE , 1P10T
CONTACT RATING	5 V DC , 10 mA
CONTACT RESISTANCE	1 Ω MAX. 1.5 V DC ; 100 mA , by Method of Voltage DROP
INSULATION RESISTANCE	100 MΩ MIN . 100 V DC for 1 minute
DIELECTRIC STRENGTH	Breakdown is not Allowable ; 100 V AC for 1 Minute
OPERATING FORCE	150 gf.cm MAX.
OPERATING LIFE	With movement click feeling : 5,000 cycles
	Without movement click feeling : 10,000 cycles
OPERATING TEMPERATURE RANGE	-20°C ~ 70°C

► HOW TO ORDER

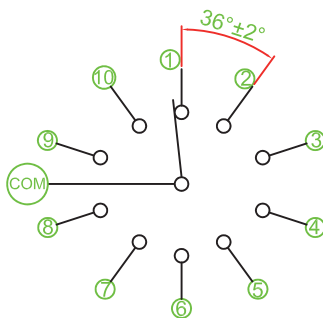


DIMENSION

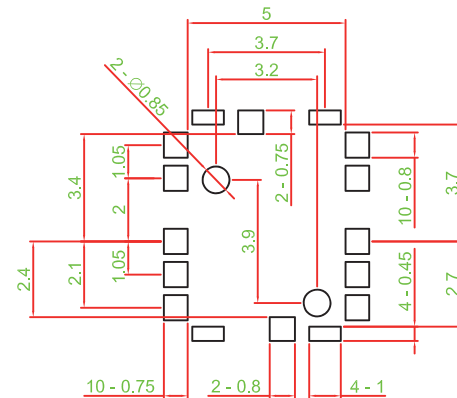
RS002-M10AAA



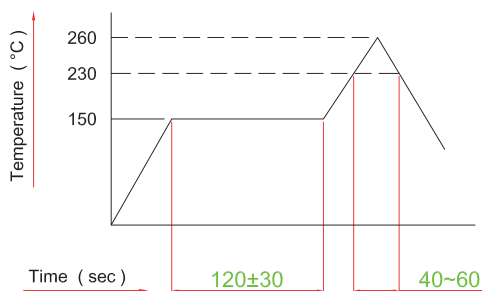
CIRCUIT DIAGRAM



P.C.B. LAYOUT



REFLOW SOLDERING



MATERIAL

- COVER : SUS
- ACTUATOR : LCP + GF
- FRAME : LCP + GF
- TERMINAL :
PHOSPHOR BRONZE SILVER PLATING
- MOVING CONTACT :
PHOSPHOR BRONZE GOLD FLASH