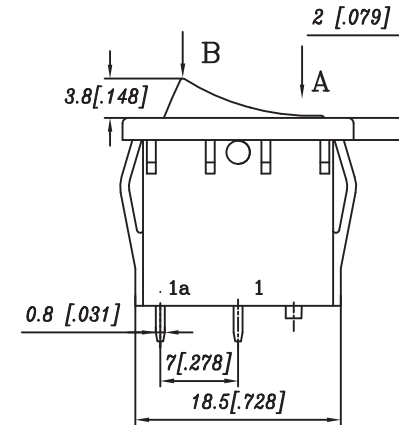
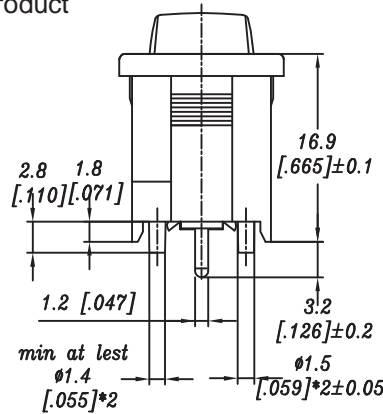
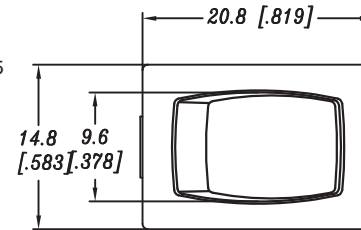
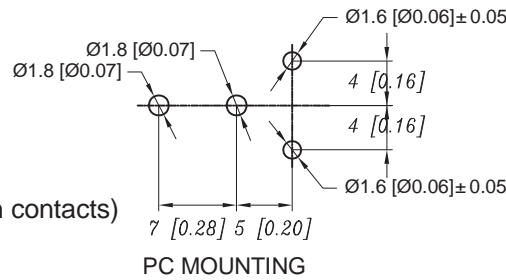


- 1、 All dimensions in mm [Inch]
- 2、 General tolerance :  $>10\pm 0.4$   
 $<10\pm 0.25$
- 3、 Electrical rating : 6A 250VAC
- 4、 Contact resistance :  $<20m\Omega$ (initial)
- 5、 Insulation resistance :  $>1000M\Omega$ (500DC between open contacts)
- 6、 Dielectric strength :  $>1500V$  1 minute
- 7、 Mechanical life :  $>30000$  cycles
- 8、 Electrical life:  $>10000$  cycles
- 9、 Temperature rise at the terminal : Max.30°C
- 10、 Solder ability of terminal : Max350°C,3S(no pressure may be placed in the terminals when soldering by hand)
- 11、 Any Cd Pb Hg etc and it's compounds is not include in this product
- 12、 Irrush current: 35A
- 13、 Ambient temperature: T85
- 14、 Ambient humidity: Max.85%
- 15、 Degree of protection: IP20
- 16、 Applicability for appliance of class: class II
- 17、 Proof tracking resistance index(PTI): 175
- 18、 Degree of pollution: clean

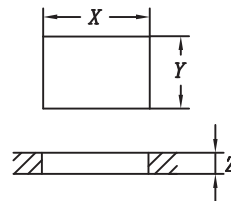


CIRCUIT SPST

Color	Housing	Actuator
K(Black)		
W(White)	✓	✓
R(Red)		
G(Gray)		
O(Orange)		
B(Blue)		
Y(III. Yellow)		
M(III. Green)		
F(III. Blue)		
T(III. White)		

POLE FUNCTION	OPTIONS OF FUNCTION		
	A	CENTER	B
SPST	1-1a	—	OFF

PANEL CUT-OUT		
Z	Y	X
0.7~1.25 [.028~.049]	12.9~13.1 [.508~.516]	19.2~19.3 [.756~.760]
1.25~2.0 [.049~.079]	12.9~13.1 [.508~.516]	19.3~19.4 [.760~.764]
2.0~3.0 [.079~.118]	12.9~13.1 [.508~.516]	19.5~19.6 [.768~.772]



✓								

Part No.	RA12WWAP0F-TRUMP	淮 洋 有 限 公 司 HUAI YANG CO., LTD.						
Dwg. NO.	RA12-70424	www.hy1688.com.tw TEL:886-2-82618986						
Series NO.	R19A	Drawing	lizhili	Auditing	Wangchangjian			
Dwg Name	Specification	Scale	2:1	Date	04/24/07	Page		

\* We keep the right to alter the dimension without notice.