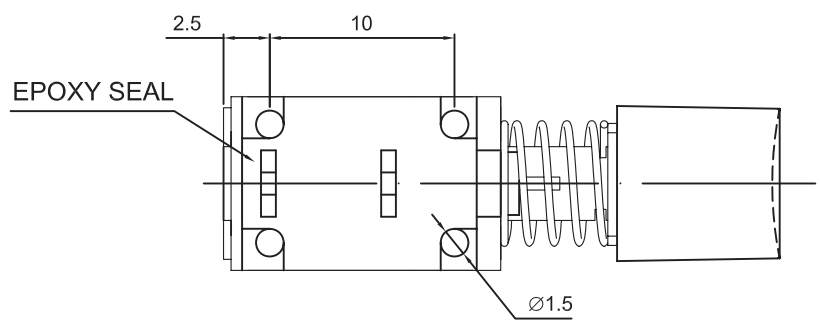
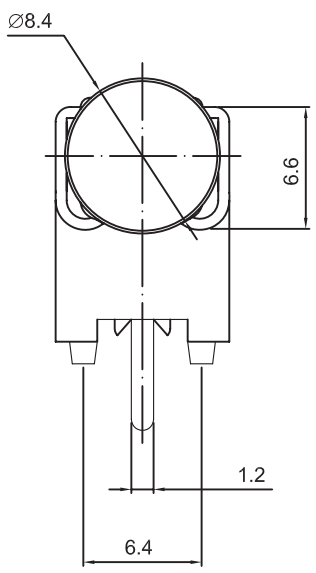
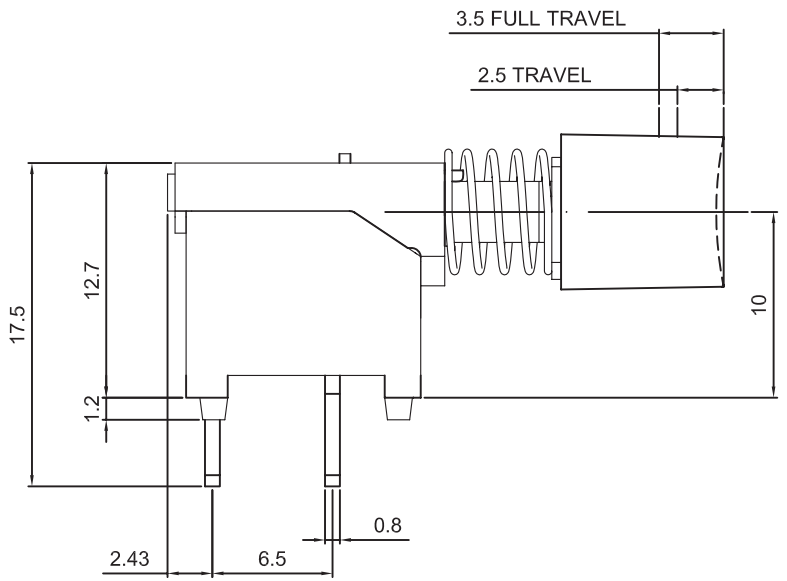
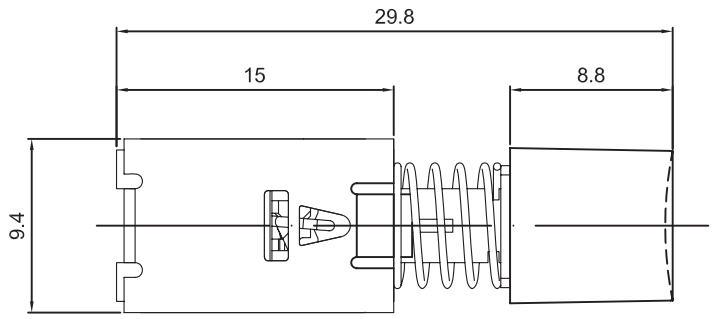
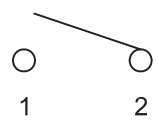


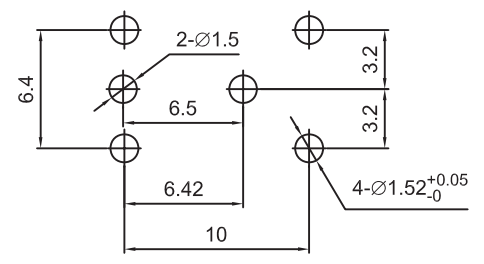
DIMENSION	TOLERANCE
BELOW 10 mm	± 0.3
10~100 mm	± 0.5
ABOVE 100 mm	± 0.8
ANGLE	± 3°



SCHEMATIC



P.C.B. LAYOUT



**SPECIFICATIONS**

1. RATING : 250 V AC 6 A .
2. CONTACT RESISTANCE : 100 mΩ MAX .
3. INSULATION RESISTANCE : 500 VDC , 500MΩ .
4. OPERATION TEMPERATURE : -20°C~ +70°C .
5. OPERATION FORCE : 300±150 gf .
6. OPERATING LIFE : 10,000 CYCLES .
7. FULL TRAVEL: 3.5±0.3mm.

△				DATE	2010/09/08	UNIT	mm	MODE	PUSH BUTTON SWITCH
△				APPROVAL	KAVEN	SCALE	1 : 1	PART	PS015-PLAA-1
△				CONFIRM	ALAN	VIEW		2D FILE NAME	PS015-PLAA-1
	DATE	APPROVAL	DESIGN	ENGINEERING CHANGE DESCRIPTION	DESIGN	LT	VER.	01	3D FILE NAME

淮洋有限公司  
 HUAI YANG CO.,LTD.  
 www.hy1688.com.tw