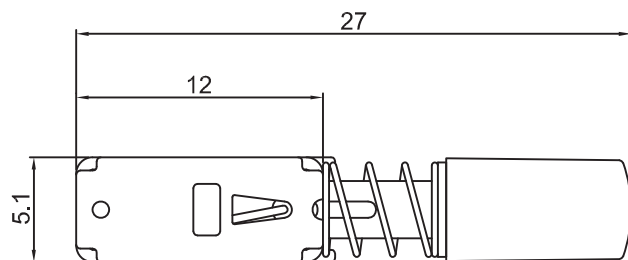


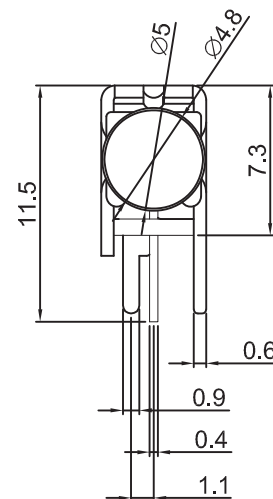
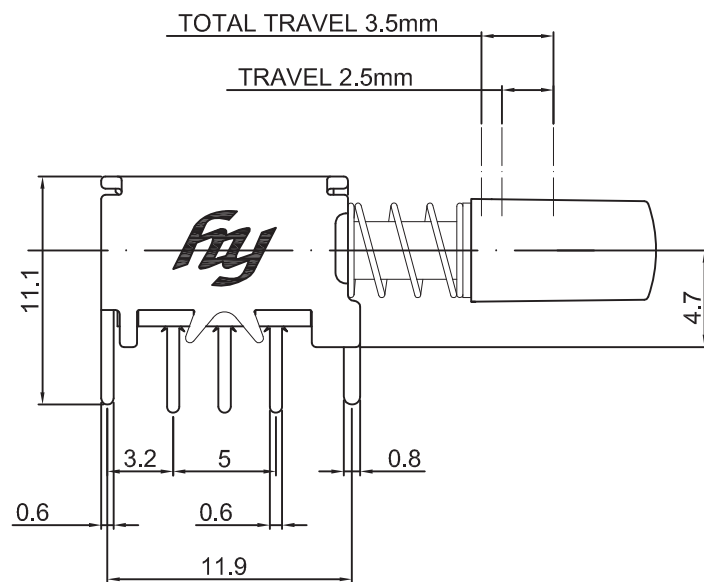
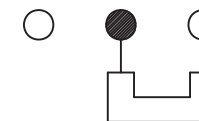
DIMENSION	TOLERANCE
BELOW 10 mm	± 0.3
10~100 mm	± 0.5
ABOVE 100 mm	± 0.8
ANGLE	± 3°



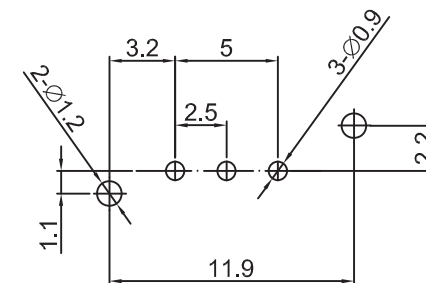
1. LOCK TYPE .
2. RATING : 30 V DC , 0.3 A .
3. CONTACT RESISTANCE : 30 mΩ MAX .
4. INSULATION RESISTANCE : 500V DC , 100 MΩ MIN .
5. OPERATING TEMPERATURE RANGE : -20°C ~ 70°C .
6. OPERATING FORCE : 200 ± 100 gf (1P2T) .
7. OPERATING LIFE : 10,000 CYCLES .

SCHEMATIC

3(NO) 2(COM) 1(NC)



P.C.B. HOLE DETAIL



△				DATE	2012/10/08	UNIT	mm	MODE	PUSH BUTTON SWITCH
△				APPROVAL	KAVEN	SCALE	1 : 1	PART	MS-C1PL-HY-1
△				CONFIRM	ALAN	VIEW	⊕	2D FILE NAME	MS-C1PL-HY-1
	DATE	APPROVAL	DESIGN	ENGINEERING CHANGE DESCRIPTION	DESIGN	ZHJ	VER.	01	3D FILE NAME

fy 淮洋有限公司
 HUAI YANG CO.,LTD.
 www.hy1688.com.tw