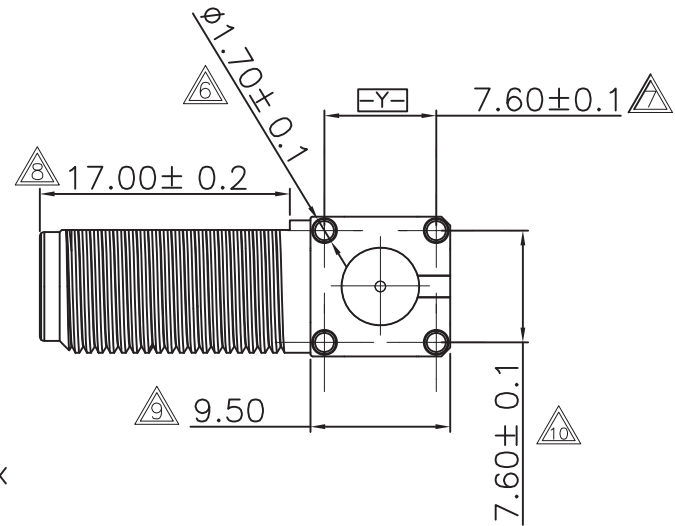
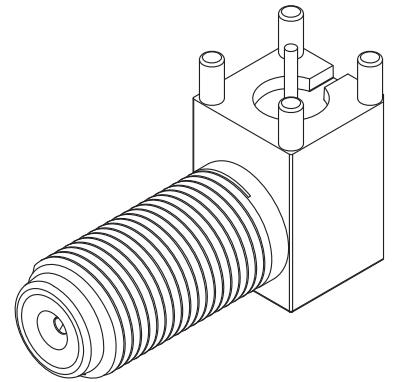


RECOMMENDED PCB LAYOUT
TOLERANCE : ± 0.05 mm




SPECLFICATION

ELECTRICAL

Impedance: 75 ohm
 Operation voltage: 250 vac max
 Frequency Range: 2GHz
 Insulation resistance: 1000Mchms min
 VSWR: 1.35 max Part no.
 Marked \triangle are important dimensions.

NO.	DESCRIPTION	QTY	MATERIAL	COLOR	REMARK
6	BOTTOM PLUG	1	PA66	—	N/A
5	OUTTER INSULATOR	1	PP	ORANGE	N/A
4	INNER INSULATOR	1	POM	—	N/A
3	BODY	1	ZINC ALLOY	—	N/A
2	SOLDER TAILS	1	BRASS	—	Ni-Plating
1	CONTACT	1	BRONZE	—	Ni-Plating

GENERAL TOLERANCE UNLESS OTHERWISE SPECIFIED		淮洋有限公司 HUI YANG CO., LTD. www.hy1688.com.tw TEL:886-2-82618986		
General	Angle	CUSTOMER COPY	TITLE:	F CONNECTOR
X ± 0.30	X $^{\circ} \pm 3^{\circ}$			
XX ± 0.25	XX $^{\circ} \pm 2^{\circ}$			
XXX ± 0.15	XXX $^{\circ} \pm 1^{\circ}$	PART NO.	HLF-2310VXF-005H-OR	
PROJ: 	SCALE: 4:1	UNIT:mm	REV: A4	SHEET: 1 OF 1

ECN(DCN) NO.	REV	DATE	DESCRIPTION	CHANGE	APPRO.	APPRO.	Max.hu	12'/08/02
	0	12'/10/12	NEW		Jason	Max.hu		
					DESIGN	Jason	12'/08/02	
					CHECK	Jason	12'/08/02	
					APPRO.	Max.hu	12'/08/02	