

1

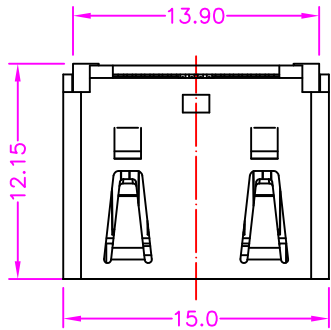
2

3

4

A

A



MATERIALS

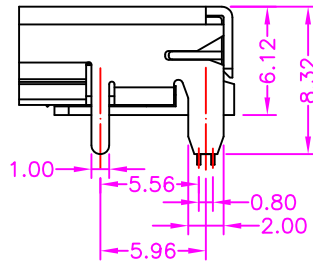
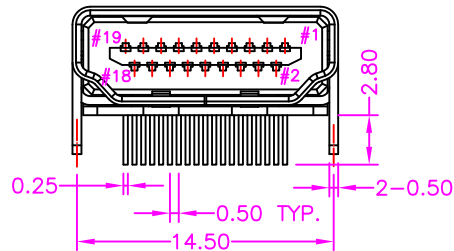
HOUSING: LCP (UL 94V-0)
 SHELL: COPPER ALLOY, NICKEL PLATING
 TERMINAL: COPPER ALLOY, GOLD PLATED ON CONTACT AREA
 TIN PLATED ON SOLDER TAIL

SPECIFICATION

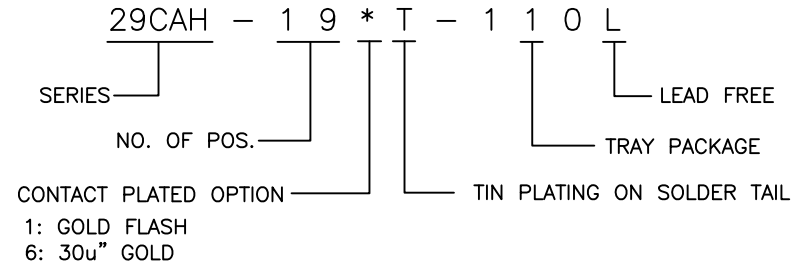
CURRENT RATING: 0.5 AMP MAX
 DIELECTRIC WITHSTANDING: 500V AC FOR ONE MINUTE
 CONTACT RESISTANCE: 30m OHMS MAX
 INSULATION RESISTANCE: 100M OHMS MIN AT DC 500V
 OPERATION TEMPERATURE: -20°C~+85°C

B

B

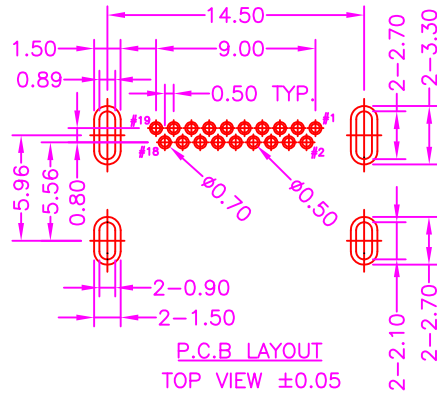
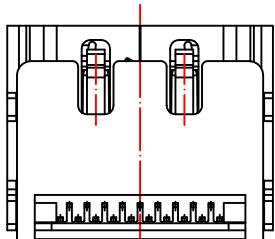


PART NUMBER



C

C



D

D

淮洋有限公司 HUAI YANG CO., LTD		SERIES: HDMI CONNECTOR SERIES	
LINEAR: .X±0.30 .XX±0.20 .XXX±0.10 ANGLES: ±3°		TITLE: HDMI, PCB MOUNT, R/A, METAL SHIELD, FEMALE	
APPROVALS DRAWN: <i>Lion</i> CHECKED: <i>Eric</i> APPROVED: <i>James</i>		SIZE: A4 VERSION: A DWG NO.: 29CA-001	
		SCALE: NONE	UNIT: mm SHEET: 1 OF 1

A	RELEASE	2008.10.10
REV.	DESCRIPTION	DATE

1

2

3

4