

1

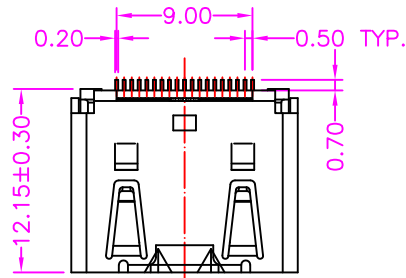
2

3

4

A

A



MATERIALS

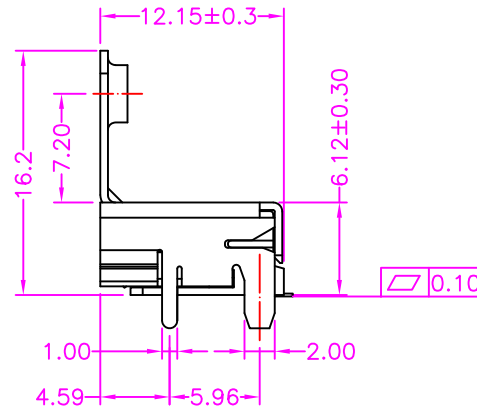
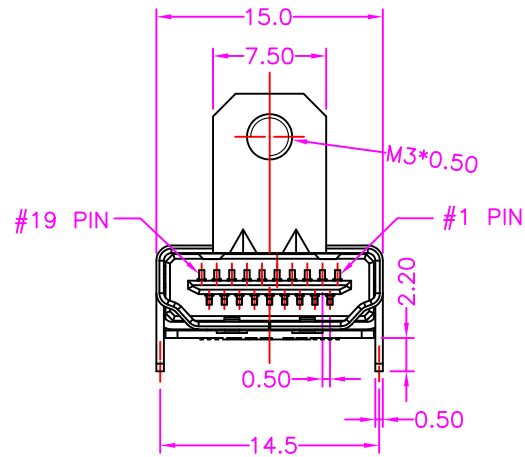
HOUSING: HI-TEMP PLASTIC (UL 94V-0)
 SHELL: COPPER ALLOY, NICKEL PLATED
 TERMINAL: COPPER ALLOY, GOLD PLATED ON CONTACT AREA
 TIN PLATING ON SOLDER TAIL

SPECIFICATION

CURRENT RATING: 0.5 AMP MAX
 DIELECTRIC WITHSTANDING: 500V AC FOR ONE MINUTE
 CONTACT RESISTANCE: 30m OHMS MAX
 INSULATION RESISTANCE: 100M OHMS MIN AT DC 500V
 OPERATION TEMPERATURE: -20°C~+85°C

B

B



PART NUMBER

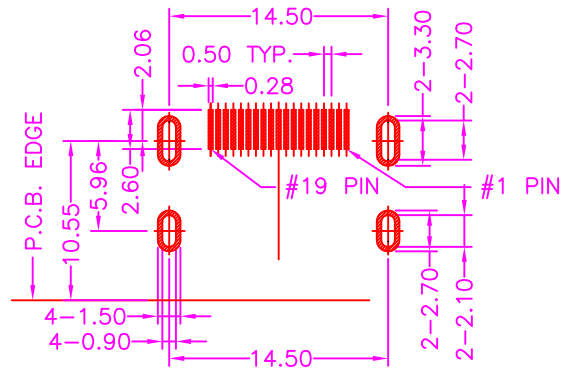
29BBH - 1 9 * T - 1 1 0 L

SERIES — NO. OF POS. — CONTACT PLATED OPTION — TIN PLATING ON SOLDER TAIL — LEAD FREE — TRAY PACKAGE

1: GOLD FLASH
 6: 30u" GOLD

C

C



P.C.B. LAYOUT TOP VIEW ±0.05

D

D

| | | | |
|---|--|--|---------------------------|
| 淮洋有限公司 HUAI YANG CO., LTD | | SERIES: HDMI CONNECTOR SERIES | |
| LINEAR: .X±0.30 .XX±0.20 .XXX±0.10 ANGLES: ±3° | | TITLE: HDMI, PCB MOUNT, SMT, METAL SHIELD, FEMALE, WITH EAR | |
| APPROVALS DRAWN: <i>Lion</i> CHECKED: <i>Eric</i> APPROVED: <i>James</i> | | SIZE: A4 VERSION: A | DWG NO.: 29BB-001 |
| | | SCALE: NONE | UNIT: mm SHEET: 1 OF 1 |

| | | |
|------|-------------|----------|
| A | RELEASE | 2008.5.2 |
| REV. | DESCRIPTION | DATE |

1

2

3

4