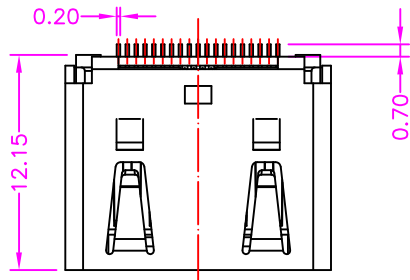


1

2

3

4



MATERIALS

HOUSING: LCP (UL 94V-0)  
 SHELL: SPCC, GOLD PLATING  
 TERMINAL: COPPER ALLOY, GOLD PLATED ON CONTACT AREA  
 TIN PLATED ON SOLDER TAIL

SPECIFICATION

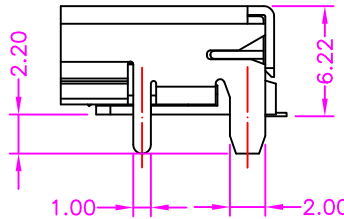
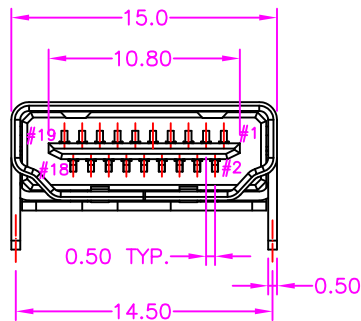
CURRENT RATING: 0.5 AMP MAX  
 DIELECTRIC WITHSTANDING: 500V AC FOR ONE MINUTE  
 CONTACT RESISTANCE: 30m OHMS MAX  
 INSULATION RESISTANCE: 100M OHMS MIN AT DC 500V  
 OPERATION TEMPERATURE: -20°C~+85°C

A

A

B

B



PART NUMBER

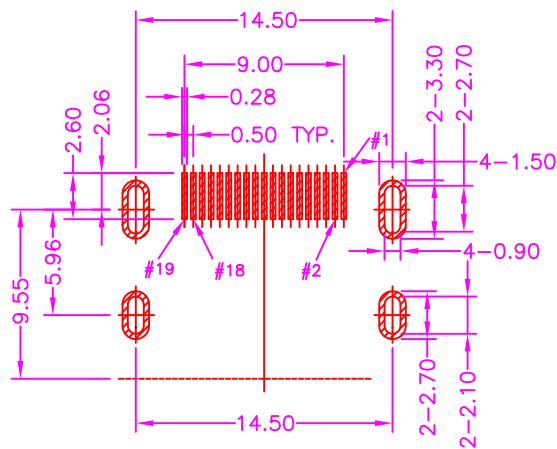
29BAH - 1 9 \* T - 1 1 0 L

SERIES — NO. OF POS. — CONTACT PLATED OPTION — LEAD FREE — TRAY PACKAGE — TIN PLATING ON SOLDER TAIL

1: GOLD FLASH  
 6: 30u" GOLD

C

C



P.C.B. LAYOUT TOP VIEW ±0.05

淮洋有限公司 HUAI YANG CO., LTD		SERIES: HDMI CONNECTOR SERIES	
LINEAR: .X±0.30 .XX±0.20 .XXX±0.10 ANGLES: ±3°		TITLE: HDMI, PCB MOUNT, SMT, METAL SHIELD, FEMALE	
APPROVALS DRAWN: <i>Lion</i> CHECKED: <i>Eric</i> APPROVED: <i>James</i>		SIZE: A4	VERSION: A
		DWG NO. 29BA-001	SCALE: NONE
10027		UNIT: mm	SHEET: 1 OF 1

D

D

A	RELEASE	2008.7.25
REV.	DESCRIPTION	DATE

1

2

3

4