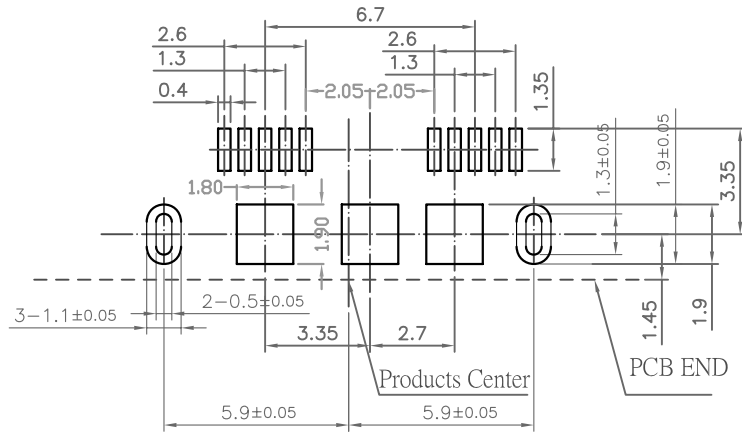
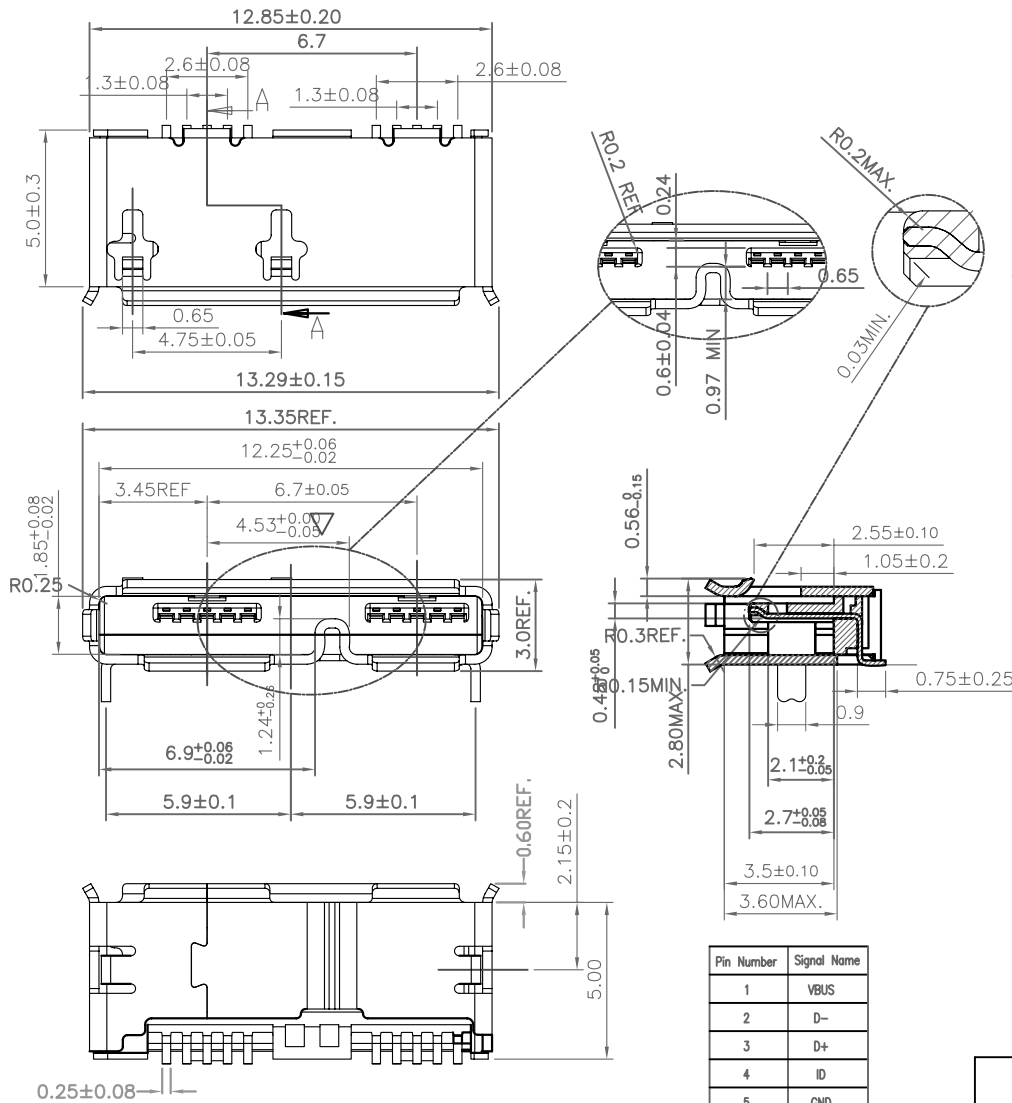


1

2

3

4



**MATERIALS**  
 HOUSING: HI-TEMP. PLASTIC (UL 94V-0)  
 SHELL: STAINLESS STEEL, GOLD PLATING  
 TERMINAL: COPPER ALLOY, GOLD PLATING

**SPECIFICATION**  
 CURRENT RATING: 0.5 AMP MAX (ONLY PIN 1, 5), OTHER 1 AMP MAX  
 DIELECTRIC WITHSTANDING: 100V AC FOR ONE MINUTE  
 CONTACT RESISTANCE: 30m OHMS MAX  
 INSULATION RESISTANCE: 100M OHMS MIN AT DC 500V  
 OPERATION TEMPERATURE: -25°C~+105°C

**PART NUMBER**

22WAH - 1 0 \* - 1 2 3 L \*  
 SERIES - NO. OF POS. - MYLAR OPTION  
 BLANK: W/O MYLAR  
 1: WITH MYLAR  
 LEAD FREE  
 TAPE REEL PACKAGE

- CONTACT PLATED OPTION  
 1: GOLD FLASH  
 2: 5u" GOLD  
 3: 10u" GOLD  
 4: 15u" GOLD  
 6: 30u" GOLD

Pin Number	Signal Name
1	VBUS
2	D-
3	D+
4	ID
5	GND
6	MicB_SSTX-
7	MicB_SSTX+
8	GND_DRAIN
9	MicB_SSRX-
10	MicB_SSRX+
Shell	Shield

淮洋有限公司 HUAI YANG CO., LTD.		SERIES: USB CONNECTOR SERIES	
LINEAR: .X±0.30 .XX±0.20 .XXX±0.10		TITLE: MICRO USB 3.0 AB TYPE, SMT, PCB MOUNT, METAL SHIELD, FEMAL (DIP SHELL)	
ANGLES: ±3°		APPROVALS DRAWN: Ron CHECKED: Eric APPROVED: James	
		SIZE: A4	VERSION: A
DWG NO. 22WA-004		SCALE: NONE	UNIT: mm
SHEET: 1 OF 1			

A	RELEASE	2010.11.18
REV.	DESCRIPTION	DATE

1

2

3

4