

1

2

3

4

A

A

B

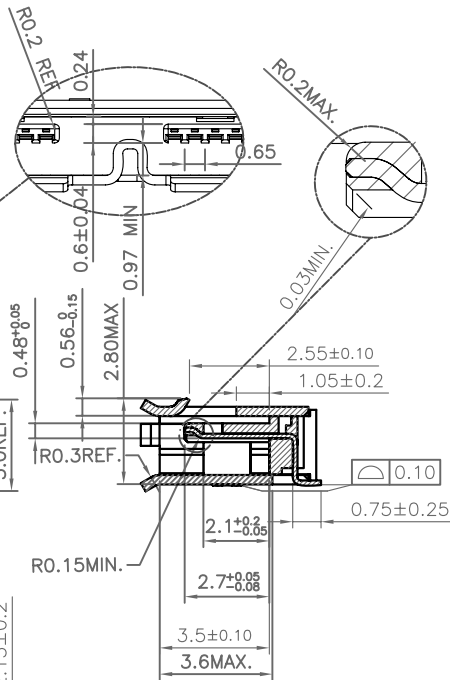
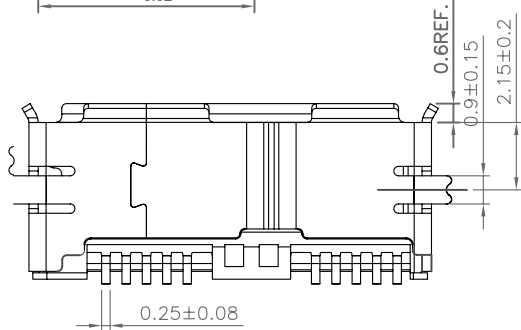
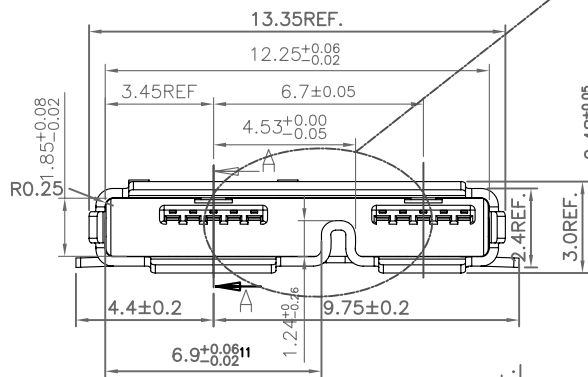
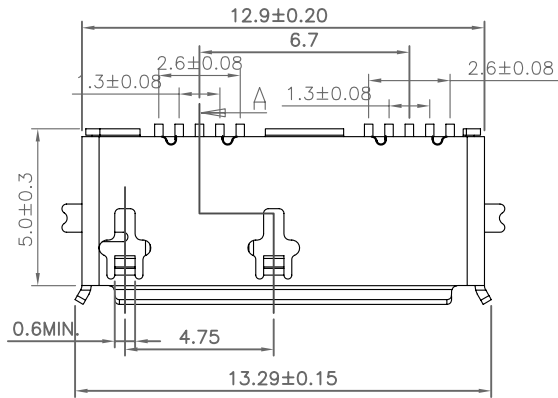
B

C

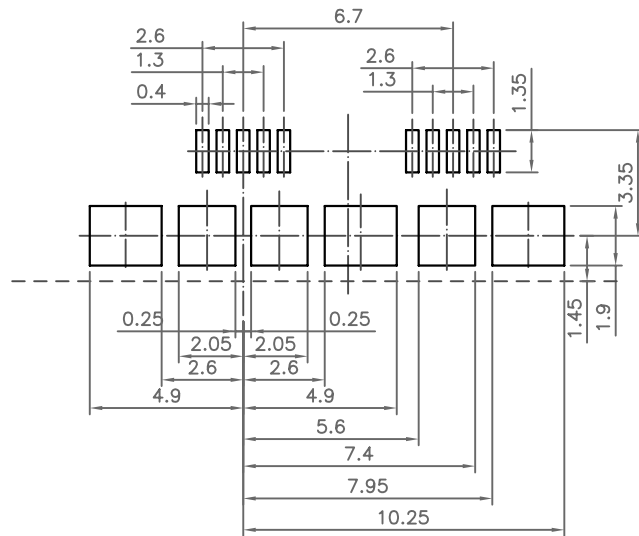
C

D

D



Pin Number	Signal Name
1	VBUS
2	D-
3	D+
4	ID
5	GND
6	MicB_SSTX-
7	MicB_SSTX+
8	GND_DRAIN
9	MicB_SSRX-
10	MicB_SSRX+
Shell	Shield



MATERIALS

HOUSING: HI-TEMP. PLASTIC (UL 94V-0)
 SHELL: STAINLESS STEEL, GOLD PLATING
 TERMINAL: COPPER ALLOY, GOLD PLATED

RECOMMENDED PCB LAYOUT

SPECIFICATION

CURRENT RATING: 0.5 AMP MAX (ONLY PIN 1, 5), OTHER 1 AMP MAX
 DIELECTRIC WITHSTANDING: 100V AC FOR ONE MINUTE
 CONTACT RESISTANCE: 30m OHMS MAX
 INSULATION RESISTANCE: 100M OHMS MIN AT DC 500V
 OPERATION TEMPERATURE: -25°C~+105°C

PART NUMBER

22WAH - 1 0 * - 1 2 2 L *

SERIES: 22WAH
 NO. OF POS.: 10
 CONTACT PLATED OPTION: *
 MYLAR OPTION: L
 BLANK: W/O MYLAR
 1: WITH MYLAR
 LEAD FREE
 TAPE REEL PACKAGE

CONTACT PLATED OPTION

- 1: GOLD FLASH
- 2: 5u" GOLD
- 3: 10u" GOLD
- 4: 15u" GOLD
- 6: 30u" GOLD

REV.	DESCRIPTION	DATE
B	UPDATE DRAWING	2010.11.19
A	RELEASE	2010.6.15

淮洋有限公司 HUAI YANG CO., LTD.		SERIES: USB CONNECTOR SERIES	
		TITLE: MICRO USB 3.0 AB TYPE, SMT, PCB MOUNT, METAL SHIELD, FEMAL (SMT SHELL)	
LINEAR: .X±0.30 .XX±0.20 .XXX±0.10	APPROVALS	SIZE: A4	VERSION: A
ANGLES: ±3°	DRAWN: Ron	DWG NO. 22WA-003	
	CHECKED: Eric	SCALE: NONE	UNIT: mm
	APPROVED: James	SHEET: 1 OF 1	

1

2

3

4