

A

B

C

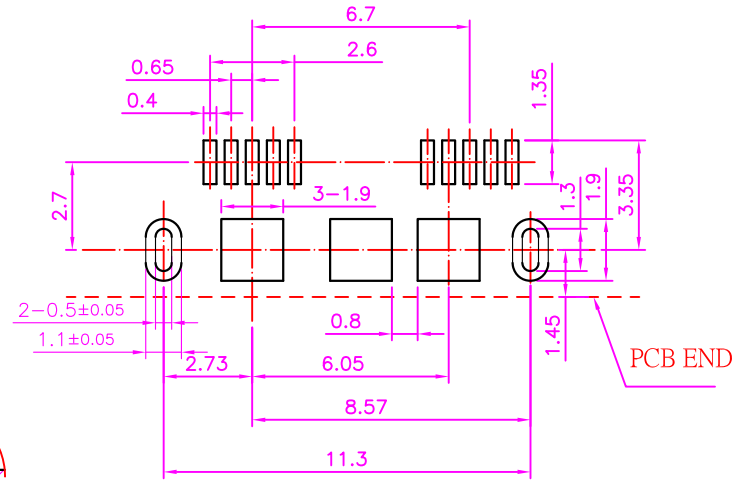
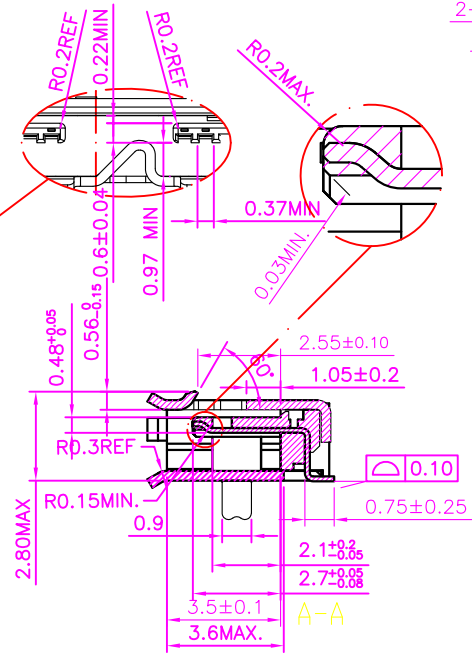
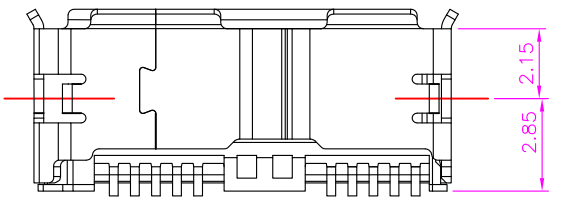
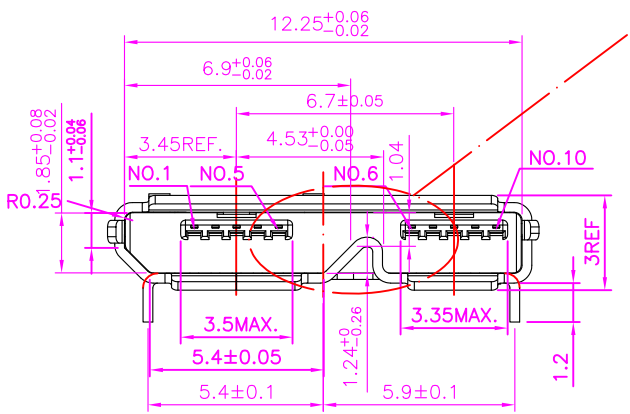
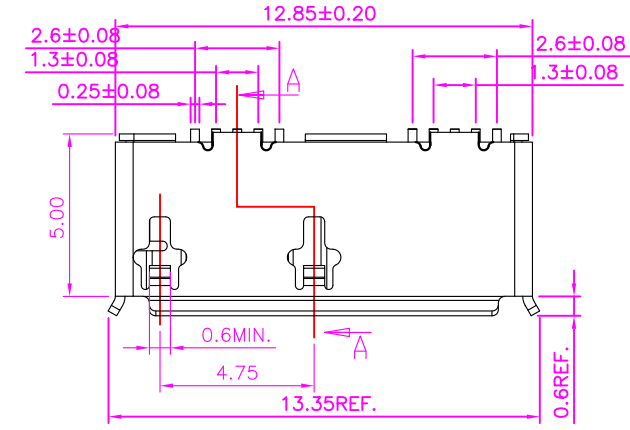
D

A

B

C

D



RECOMMENDED PCB LAYOUT

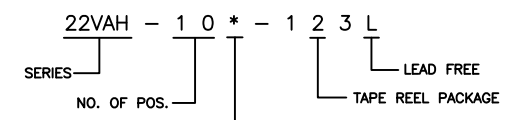
MATERIALS

HOUSING: HI-TEMP. PLASTIC (UL 94V-0)
SHELL: STAINLESS STEEL, GOLD PLATING
TERMINAL: COPPER ALLOY, GOLD PLATED

SPECIFICATION

CURRENT RATING: 0.5 AMP MAX (ONLY PIN 1, 5), OTHER 1 AMP MAX
DIELECTRIC WITHSTANDING: 100V AC FOR ONE MINUTE
CONTACT RESISTANCE: 30m OHMS MAX
INSULATION RESISTANCE: 100M OHMS MIN AT DC 500V
OPERATION TEMPERATURE: -25°C~+105°C

PART NUMBER



CONTACT PLATED OPTION

- 1: GOLD FLASH
- 2: 5u" GOLD
- 3: 10u" GOLD
- 4: 15u" GOLD
- 6: 30u" GOLD

A	RELEASE	2010.11.19
REV.	DESCRIPTION	DATE

淮洋有限公司 HUAI YANG CO., LTD.		SERIES: USB CONNECTOR SERIES	
LINEAR: .X±0.30 .XX±0.20 .XXX±0.10		TITLE: MICRO USB 3.0 B TYPE, PCB MOUNT, SMT, METAL SHIELD, FEMALE	
ANGLES: ±3°		MICRO USB 3.0 B TYPE, PCB MOUNT, SMT, METAL SHIELD, FEMALE	
APPROVALS DRAWN: Ron CHECKED: Eric APPROVED: James		SIZE: A4	VERSION: A
DWG NO. 22VA-004		DWG NO. 22VA-004	
SCALE: NONE		UNIT: mm	SHEET: 1 OF 1