

1

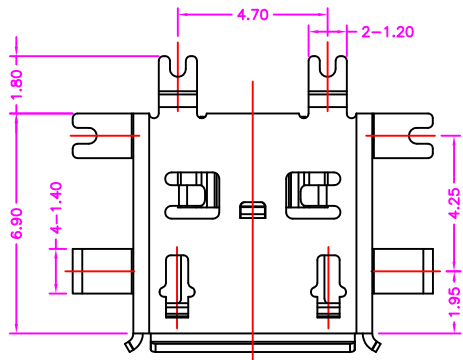
2

3

4

A

A



MATERIALS

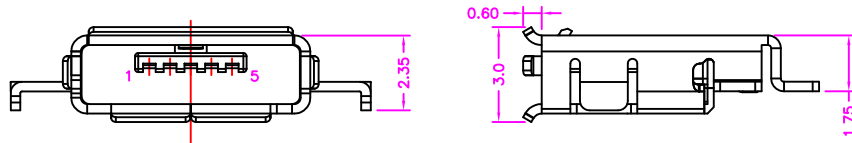
HOUSING: HI-TEMP. PLASTIC (UL 94V-0)
 SHELL: STAINLESS STEEL, TIN PLATING
 TERMINAL: COPPER ALLOY, GOLD PLATED

SPECIFICATION

CURRENT RATING: 1.8 AMP MAX (ONLY PIN 1, 5), OTHER 1 AMP MAX
 DIELECTRIC WITHSTANDING: 100V AC FOR ONE MINUTE
 CONTACT RESISTANCE: 30m OHMS MAX
 INSULATION RESISTANCE: 100M OHMS MIN AT DC 500V
 OPERATION TEMPERATURE: -25°C~+105°C

B

B



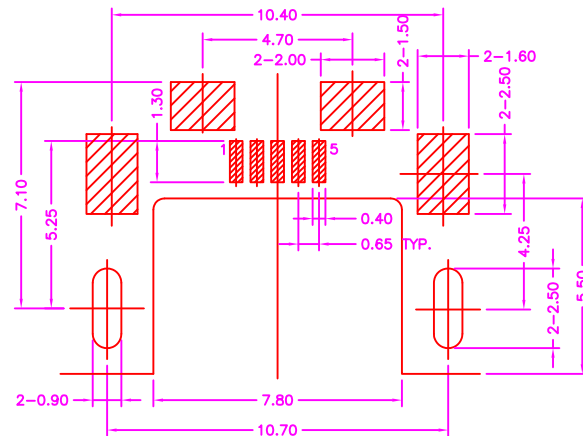
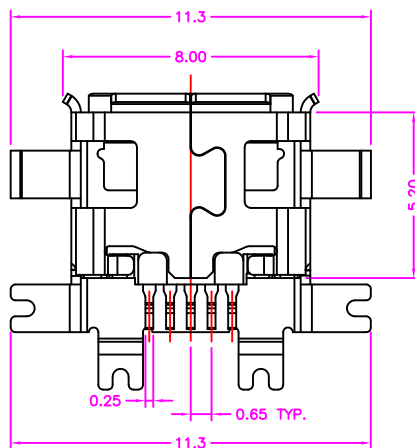
PART NUMBER

22UCH - 0 5 * - 1 * 0 L

SERIES — NO. OF POS. — LEAD FREE
 PACKAGE OPTION
 1: TRAY
 2: TAPE REEL
 3: TUBE

C

C



P.C.B. LAYOUT TOP VIEW ±0.05

CONTACT PLATED OPTION

- 1: GOLD FLASH
- 2: 5u" GOLD
- 3: 10u" GOLD
- 4: 15u" GOLD
- 6: 30u" GOLD

D

D

淮洋有限公司
 HUAI YANG CO., LTD.

SERIES: USB CONNECTOR SERIES

TITLE: MICRO USB AB TYPE, PCB MOUNT, SMT, BOARD CUT TYPE, METAL SHIELD, FEMALE

LINEAR: .X±0.30 .XX±0.20 .XXX±0.10

APPROVALS

ANGLES: ±3°

DRAWN: Mars

CHECKED: Lion

APPROVED: James

SIZE: A4 VERSION: A DWG NO.

22UC-001

SCALE: NONE UNIT: mm SHEET: 1 OF 1

A	RELEASE	2009.6.1
REV.	DESCRIPTION	DATE

1

2

3

4