

1

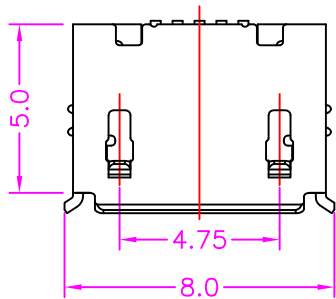
2

3

4

A

A



### MATERIALS

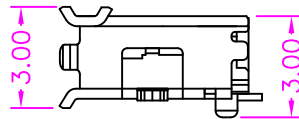
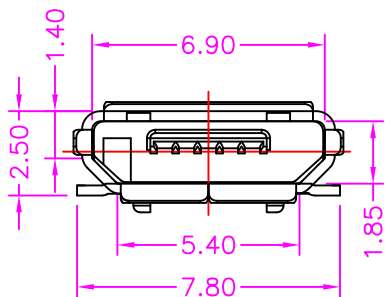
HOUSING: HI-TEMP. PLASTIC (UL 94V-0), BLACK  
 SHELL: STAINLESS STEEL, NICKEL PLATING  
 TERMINAL: COPPER ALLOY, GOLD PLATED ON CONTACT AREA,  
 TIN PLATING NO SOLDER TAIL

### SPECIFICATION

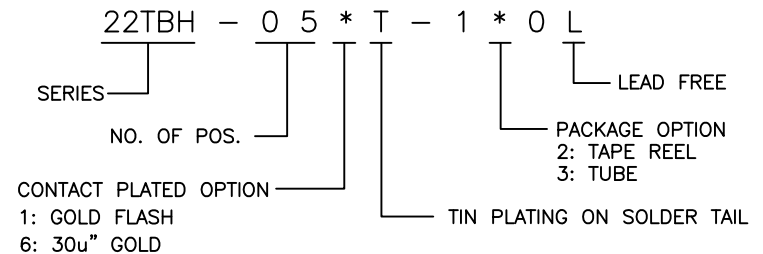
CURRENT RATING: 1.8 AMP MAX (ONLY PIN 1, 5), OTHER 1 AMP MAX  
 DIELECTRIC WITHSTANDING: 100V AC FOR ONE MINUTE  
 CONTACT RESISTANCE: 30m OHMS MAX  
 INSULATION RESISTANCE: 1000M OHMS MIN AT DC 100V  
 OPERATION TEMPERATURE: -25°C~+105°C

B

B

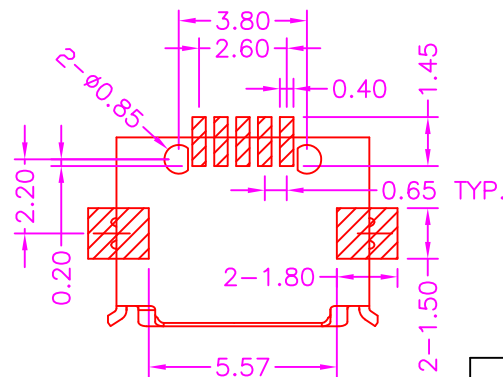
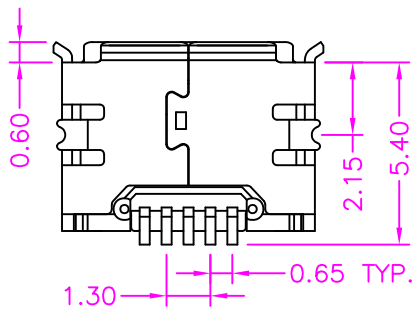


### PART NUMBER



C

C



P.C.B. LAYOUT  
 TOP VIEW ±0.05

D

D

淮洋有限公司 HUAI YANG CO., LTD.		SERIES: USB CONNECTOR SERIES	
LINEAR: .X±0.30 .XX±0.20 .XXX±0.10 ANGLES: ±3°		TITLE: MICRO USB B TYPE, PCB MOUNT, SMT, METAL SHIELD, FEMALE, WITH POST	
APPROVALS DRAWN: <i>Lion</i> CHECKED: <i>Eric</i> APPROVED: <i>James</i>		SIZE: A4	VERSION: A
		DWG NO. 22TB-001	SCALE: NONE
10026		UNIT: mm	SHEET: 1 OF 1

A	RELEASE	2008.8.21
REV.	DESCRIPTION	DATE

1

2

3

4