

1

2

3

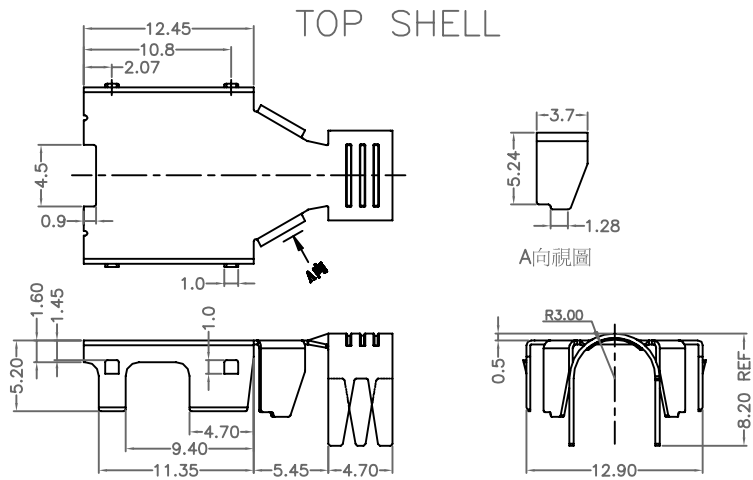
4

A

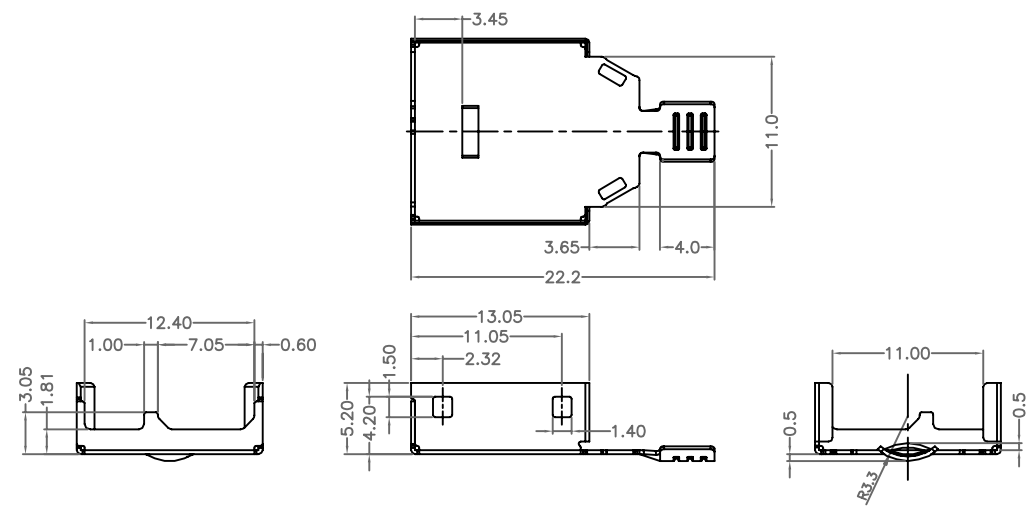
B

A

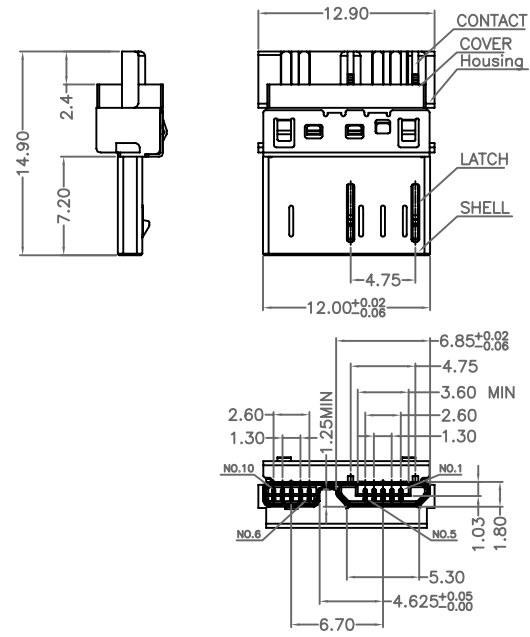
B



BOTTOM SHELL



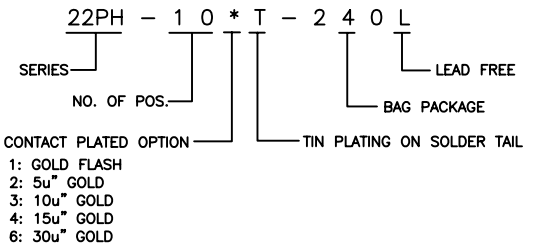
HOUSING & COVER & CONTACT & LATCH



Specification

- 1. Material
SHELL & LATCH : STAINLESS STEEL
HOUSING & COVER : THERMPOLYMER (UL 94-V0)
CONTACT : COPPER ALLOY GOLD-PLATING ON CONTACT
TI-PLATING ON SOLDER TAIL AREA
- 2. CURRENT RATING
1.8 AMP FOR PIN1 & PIN4
0.25 AMP FOR OTHER CONTACTS
- 3. VOLTAGE RATING : 30V
- 4. INSULATION RESISTANCE : 100MΩ MIN
- 5. CONTACT RESISTANCE
30mΩ MAX FOR PIN1 & PIN4
50mΩ MAX FOR OTHER CONTACTS
- 6. DIELECTRIC WITHSTANDING VOLTAGE : 100V AC
- 7. TEMPERATURE RANGE : -20°C TO +85°C

PART NUMBER



淮洋有限公司 HUAI YANG CO., LTD.		SERIES: USB CONNECTOR SERIES			
		TITLE: MICRO USB 3.0 B TYPE, SOLDER WIRE, METAL SHIELD, MALE			
LINEAR: .X±0.30 .XX±0.20 .XXX±0.10	APPROVALS	SIZE: A4	VERSION: A	DWG NO. 22PH-001	
ANGLES: ±3°	DRAWN: Ron	SCALE: NONE	UNIT: mm	SHEET: 1 OF 1	
	CHECKED: Eric				
	APPROVED: James				

A	RELEASE	2010.6.17
REV.	DESCRIPTION	DATE

1

2

3

4

D