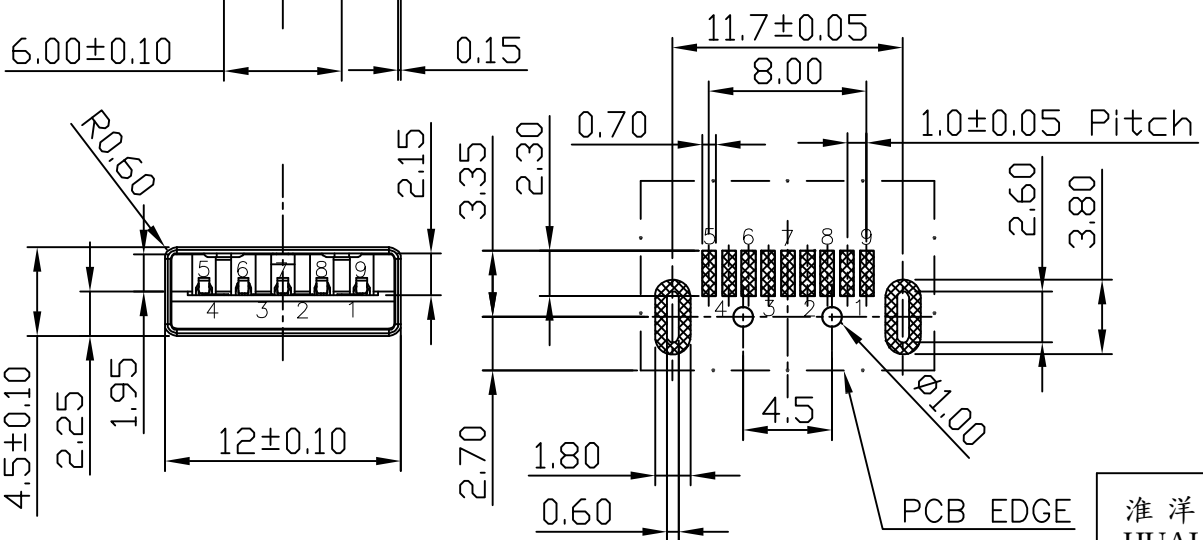
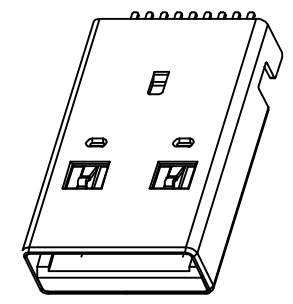
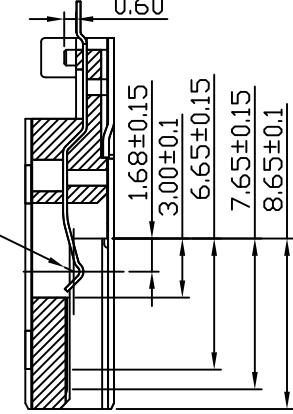


MATERIALS
 HOUSING: HI-TEMP PLASTIC (UL 94V-0)
 SHELL: SPCC, NICKEL PLATING
 TERMINAL: COPPER ALLOY, GOLD PLATED ON CONTACT AREA
 TIN PLATING ON SOLDER TAIL

SPECIFICATION
 CURRENT RATING: 1.5 AMP MAX
 DIELECTRIC WITHSTANDING: 500V AC FOR ONE MINUTE
 CONTACT RESISTANCE: 30m OHMS MAX
 INSULATION RESISTANCE: 1000M OHMS MIN AT DC 500V
 OPERATION TEMPERATURE: -30°C~+85°C



PART NUMBER

22PEH - 0 9 * T - 2 1 * L

SERIES: 22PEH
 NO. OF POS.: 09
 CONTACT PLATED OPTION: *T
 TRAY PACKAGE: -2
 LEAD FREE: *L

CONTACT PLATED OPTION:
 1: GOLD FLASH
 2: 5u" GOLD
 3: 10u" GOLD
 4: 15u" GOLD
 6: 30u" GOLD

LEAD FREE:
 6: H= 1.9mm
 7: H= 2.6mm
 A: H= 3.2mm

TIN PLATING ON SOLDER TAIL

RECOMMENDED PCB LAYOUT

淮洋有限公司
 HUAI YANG CO., LTD.

LINEAR: .X±0.30 .XX±0.20 .XXX±0.10
 ANGLES: ±3°

APPROVALS
 DRAWN: Ron
 CHECKED: Eric
 APPROVED: James

10171

SERIES: USB CONNECTOR SERIES

TITLE: USB 3.0 A TYPE, SOLDER WIRE, METAL SHIELD, MALE

SIZE: A4
 VERSION: A
 DWG NO.: 22PE-007

SCALE: NONE
 UNIT: mm
 SHEET: 1 OF 1

A	RELEASE	2010.7.6
REV.	DESCRIPTION	DATE