

1

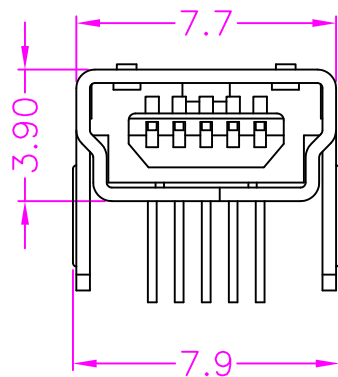
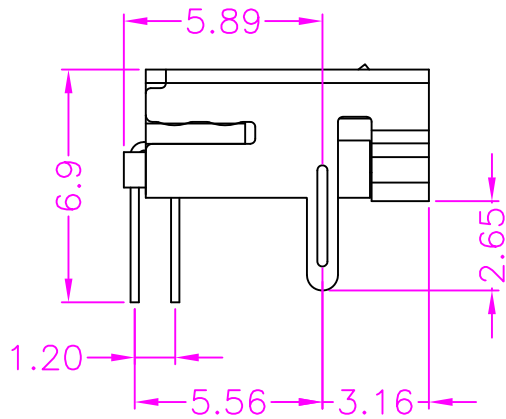
2

3

4

A

A



MATERIALS

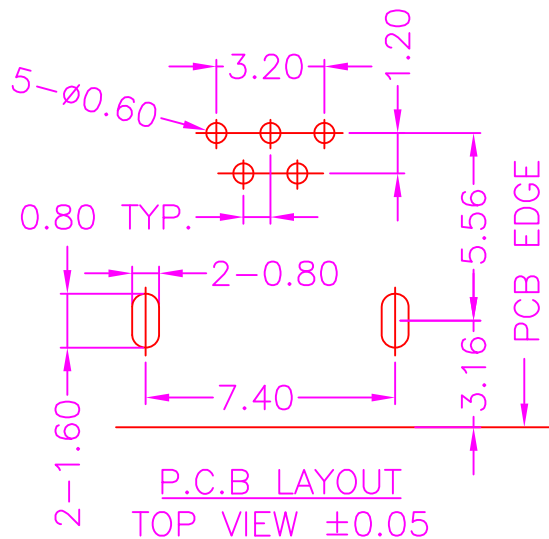
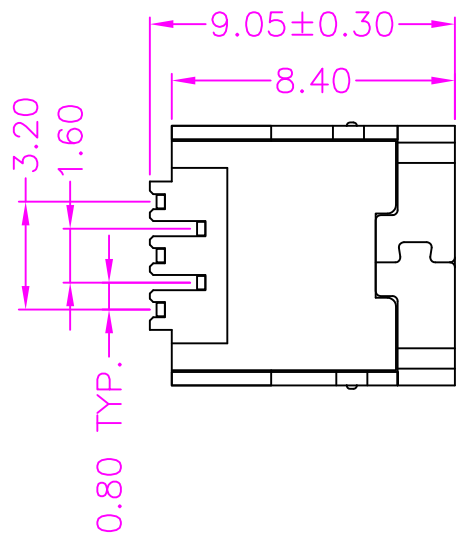
HOUSING: PBT (UL 94V-0)  
 SHELL: BRASS, NICKEL PLATING  
 TERMINAL: COPPER ALLOY, GOLD PLATED ON CONTACT AREA  
 TIN PLATING ON SOLDER TAIL

SPECIFICATION

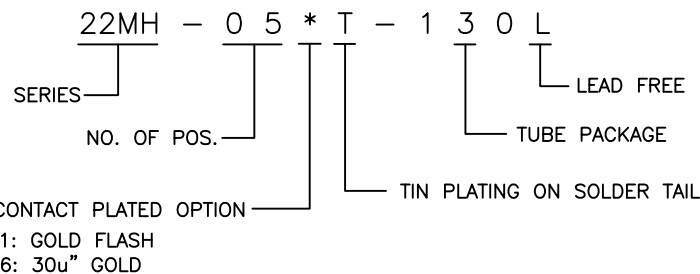
CURRENT RATING: 1 AMP MAX  
 DIELECTRIC WITHSTANDING: 100V AC FOR ONE MINUTE  
 CONTACT RESISTANCE: 50m OHMS MAX  
 INSULATION RESISTANCE: 100M OHMS MIN AT DC 100V  
 OPERATION TEMPERATURE: -0°C~+50°C

B

B



PART NUMBER



C

C

D

D

淮洋有限公司 HUAI YANG CO., LTD.		SERIES: USB CONNECTOR SERIES	
LINEAR: .X±0.30 .XX±0.20 .XXX±0.10 ANGLES: ±3°		TITLE: MINI USB, B TYPE, PCB MOUNT, R/A, METAL SHIELD, FEMALE	
APPROVALS DRAWN: <i>Lion</i> CHECKED: <i>Eric</i> APPROVED: <i>James</i>		SIZE: A4	VERSION: A
10026		DWG NO. 22MH-001	
		SCALE: NONE	UNIT: mm
		SHEET: 1 OF 1	

A	RELEASE	2008.12.12
REV.	DESCRIPTION	DATE

1

2

3

4