

1

2

3

4

A

A

B

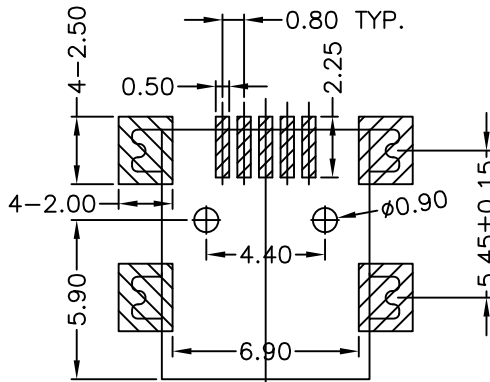
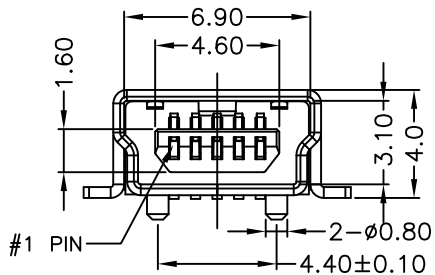
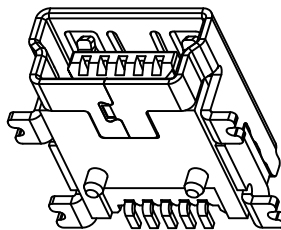
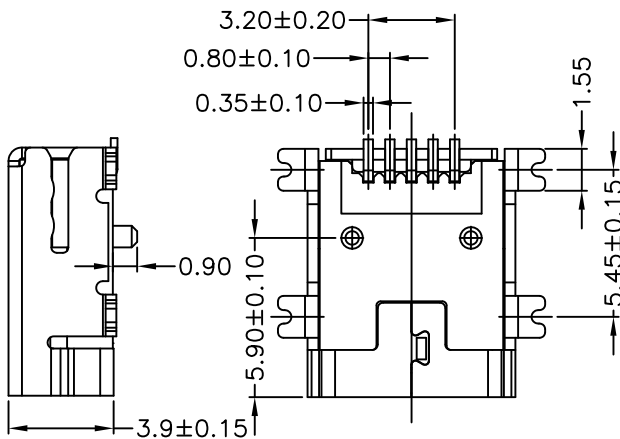
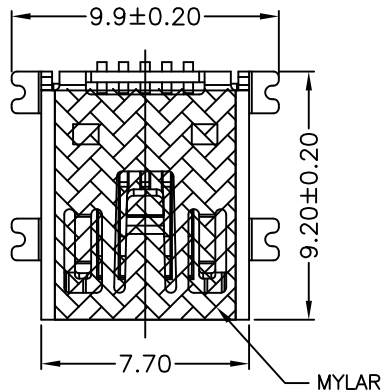
B

C

C

D

D



MATERIALS

HOUSING: HI-TEMP PLASTIC (UL 94V-0)  
 SHELL: COPPER ALLOY, NICKEL PLATING  
 TERMINAL: COPPER ALLOY, GOLD PLATED ON CONTACT AREA, TIN PLATED ON SOLDER TAIL

SPECIFICATION

CURRENT RATING: 1 AMP MAX  
 DIELECTRIC WITHSTANDING: 100V AC FOR ONE MINUTE  
 CONTACT RESISTANCE: 50m OHMS MAX  
 INSULATION RESISTANCE: 100M OHMS MIN AT DC 100V  
 OPERATION TEMPERATURE: -0°C~+50°C

PART NUMBER

22MBH - 0 5 \* T - 1 2 0 L \* \*

SERIES

NO. OF POS.

CONTACT PLATED OPTION

1: GOLD FLASH  
 6: 30u" GOLD

TIN PLATING ON SOLDER TAIL

PACKING QUANTITY

1: 800PCS/REEL 10 REEL/CARTON  
 2: 1000PCS/REEL 10 REEL/CARTON

COLOR OPTION

B: BLACK  
 W: WHITE  
 BE: BEIGE

LEAD FREE

TAPE REEL PACKAGE

P.C.B LAYOUT  
 TOP VIEW ±0.05

淮洋有限公司 HUAI YANG CO., LTD.		SERIES: USB CONNECTOR SERIES	
LINEAR: .X±0.30 .XX±0.20 .XXX±0.10		TITLE: MINI USB B TYPE, PCB MOUNT, SMT, METAL SHIELD, FEMALE, WITH MYLAR	
ANGLES: ±3°		SIZE: A4	VERSION: B
		DWG NO. 22MB-001	
APPROVALS DRAWN: <i>Lion</i> CHECKED: <i>Eric</i> APPROVED: <i>James</i>		SCALE: NONE	UNIT: mm
10048		SHEET: 1 OF 1	

B	UPDATE	2012.12.28
A	RELEASE	2008.5.2
REV.	DESCRIPTION	DATE

1

2

3

4