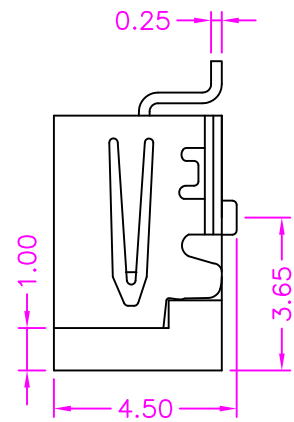
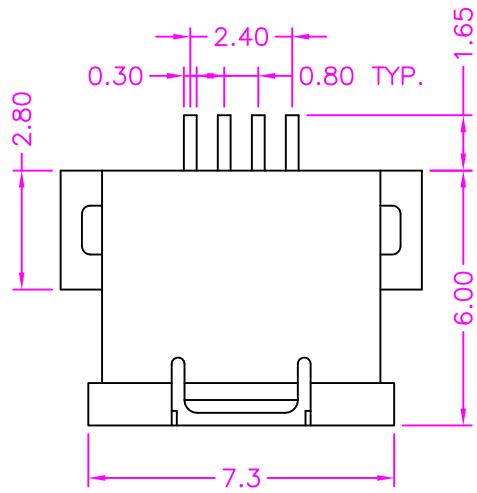


A

A



MATERIALS

HOUSING: HI-TEMP. PLASTIC (UL 94V-0)
 SHELL: COPPER ALLOY, NICKEL PLATING
 TERMINAL: COPPER ALLOY, GOLD PLATED ON CONTACT AREA
 TIN PLATING ON SOLDER TAIL

SPECIFICATION

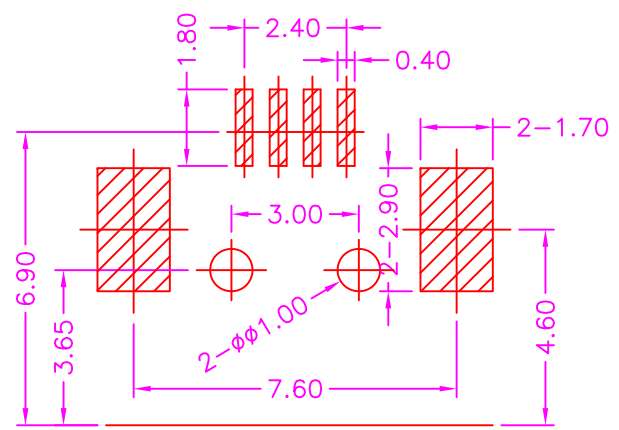
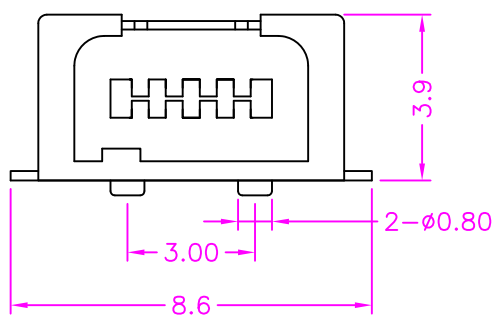
CURRENT RATING: 1 AMP MAX
 DIELECTRIC WITHSTANDING: 100V AC FOR ONE MINUTE
 CONTACT RESISTANCE: 50m OHMS MAX
 INSULATION RESISTANCE: 100M OHMS MIN AT DC 100V
 OPERATION TEMPERATURE: -25°C~+80°C

B

B

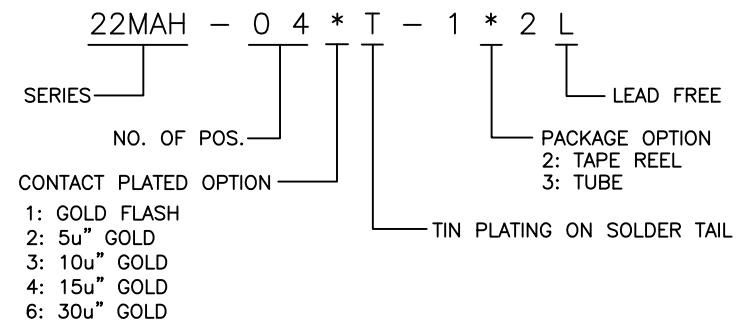
C

C



P.C.B. LAYOUT
 TOP VIEW ±0.05

PART NUMBER



D

D

| | | | |
|---|--|---|--|
| 淮洋有限公司 HUAI YANG CO., LTD. | | SERIES: USB CONNECTOR SERIES | |
| LINEAR: .X±0.30 .XX±0.20 .XXX±0.10 ANGLES: ±3° | | TITLE: MINI USB A TYPE, PCB MOUNT, SMT, METAL SHIELD, FEMALE, 1 KEY | |
| APPROVALS DRAWN: <i>Mars</i> CHECKED: <i>Lion</i> APPROVED: <i>James</i> | | SIZE: A4 VERSION: A DWG NO.: 22MA-003 | |
| 10010 | | SCALE: NONE UNIT: mm SHEET: 1 OF 1 | |

| | | | |
|------|-------------|-----------|-----------|
| A | RELEASE | 2009.8.12 | |
| REV. | DESCRIPTION | DATE | 2009.8.12 |