

1

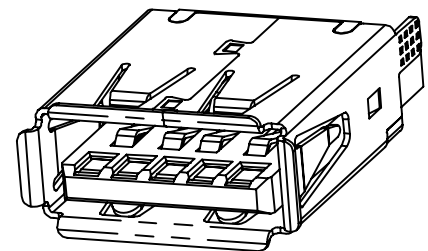
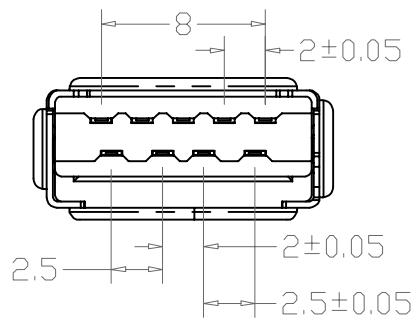
2

3

4

A

A



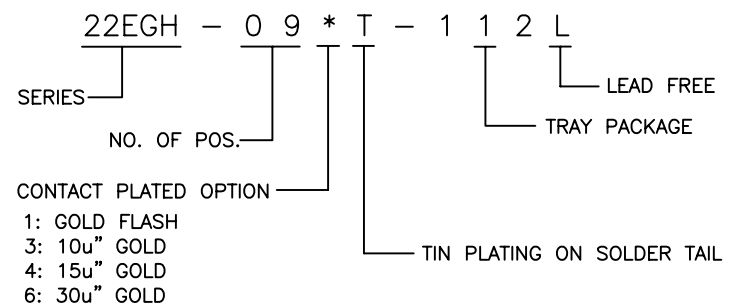
MATERIALS

HOUSING: (HI-TEMP.)THERMOPLASTIC (UL 94V-0),
 SHELL: COPPER ALLOY, NICKEL PLATING
 TERMINAL: COPPER ALLOY, GOLD PLATED ON CONTACT AREA
 TIN PLATING ON SOLDER TAIL

SPECIFICATION

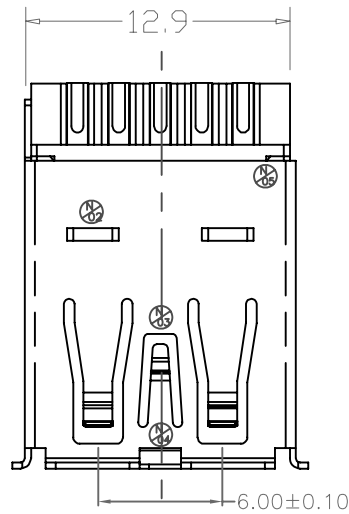
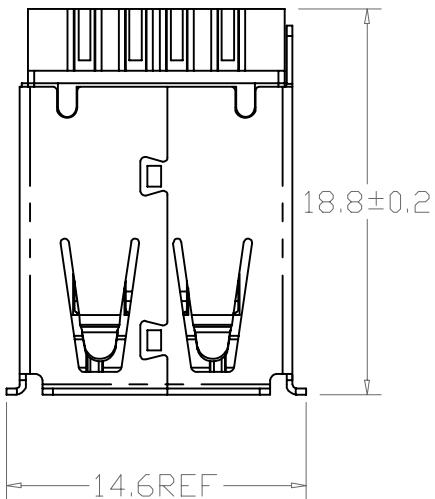
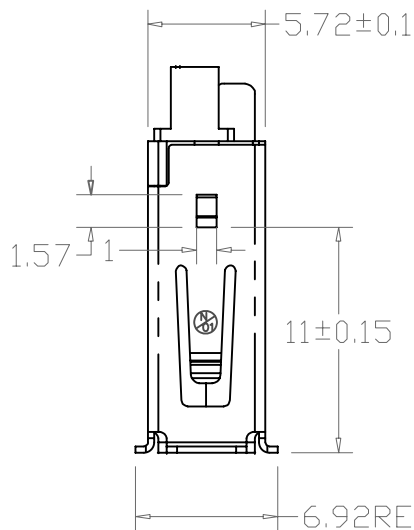
CURRENT RATING: 1.5 A MAX
 DIELECTRIC WITHSTANDING: 500V AC FOR ONE MINUTE
 CONTACT RESISTANCE: 30m OHMS MAX
 INSULATION RESISTANCE: 1000M OHMS MIN AT DC 500V
 OPERATION TEMPERATURE: -40°C~85°C

PART NUMBER



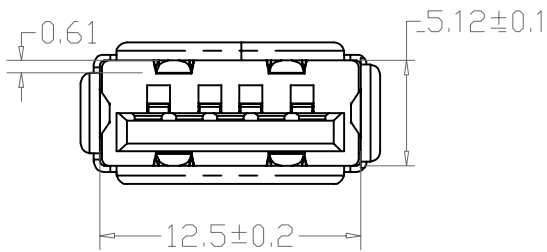
B

B



C

C



D

D

B	ECN 100702 N01~N05	2010.7.29
A	RELEASE	2010.7.6
REV.	DESCRIPTION	DATE

淮洋有限公司 HUAI YANG CO., LTD.		SERIES: USB CONNECTOR SERIES	
LINEAR: .X±0.30 .XX±0.20 .XXX±0.10 ANGLES: ±3°		TITLE: USB 3.0 A TYPE, PCB MOUNT, SOLDER WIRE, METAL SHIELD, FEMALE REVERSE	
APPROVALS DRAWN: Ron CHECKED: Eric APPROVED: James		SIZE: A4 VERSION: A SCALE: NONE	DWG NO.: 22EG-003 UNIT: mm SHEET: 1 OF 1

1

2

3

4