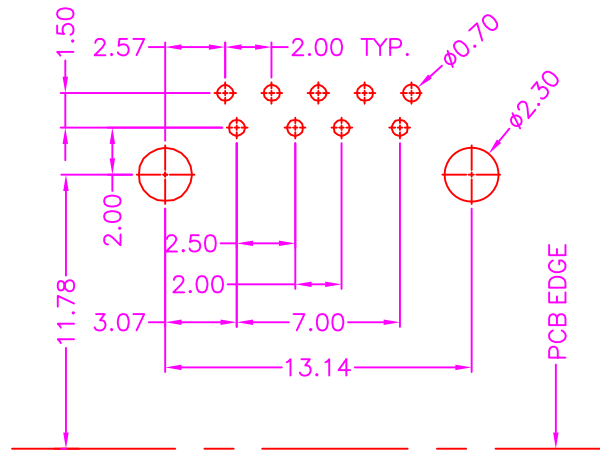
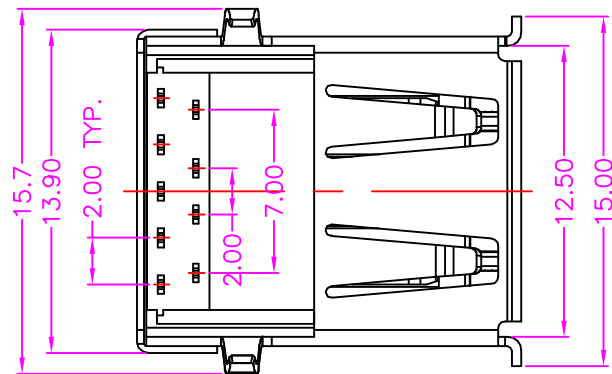


**MATERIALS**

HOUSING: THERMOPLASTIC (UL 94V-0), BLUE (PANTONE 300C)  
 SHELL: SPCC, NICKEL PLATING  
 TERMINAL: COPPER ALLOY, GOLD PLATED ON CONTACT AREA  
 TIN PLATING ON SOLDER TAIL

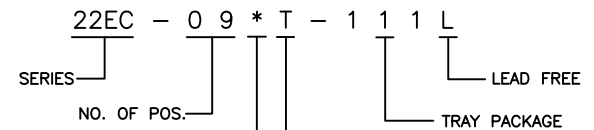
**SPECIFICATION**

CURRENT RATING: 1.5 AMP MAX  
 DIELECTRIC WITHSTANDING: 500V AC FOR ONE MINUTE  
 CONTACT RESISTANCE: 30m OHMS MAX  
 INSULATION RESISTANCE: 1000M OHMS MIN AT DC 500V  
 OPERATION TEMPERATURE: -30°C~+85°C



P.C.B. LAYOUT  
 TOP VIEW ±0.05

**PART NUMBER**



**CONTACT PLATED OPTION**

- 1: GOLD FLASH
- 2: 5u" GOLD
- 3: 10u" GOLD
- 4: 15u" GOLD
- 6: 30u" GOLD

SERIES: USB CONNECTOR SERIES

TITLE: USB 3.0 A TYPE, PCB MOUNT, R/A, METAL SHIELD, FEMALE

淮洋有限公司 HUAI YANG CO., LTD.		APPROVALS DRAWN: <i>Lion</i> CHECKED: <i>Eric</i> APPROVED: <i>James</i>		SIZE: A4	VERSION: A	DWG NO.: 22EC-002
LINEAR: .X±0.30 .XX±0.20 .XXX±0.10	ANGLES: ±3°	10115	SCALE: NONE	UNIT: mm	SHEET: 1 OF 1	

A	RELEASE	2009.2.18
REV.	DESCRIPTION	DATE

1

2

3

4