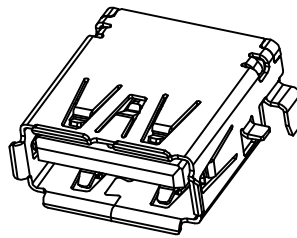
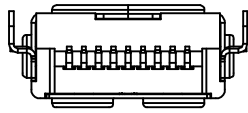


1

2

3

4



### MATERIALS

HOUSING: HI-TEMP. PLASTIC (UL 94V-0),  
 SHELL: COPPER ALLOY, NICKEL PLATING  
 TERMINAL: COPPER ALLOY, GOLD PLATED ON CONTACT AREA  
 TIN PLATING ON SOLDER TAIL

### SPECIFICATION

CURRENT RATING: 1.5A MAX  
 DIELECTRIC WITHSTANDING: 500V AC FOR ONE MINUTE  
 CONTACT RESISTANCE: 30m OHMS MAX  
 INSULATION RESISTANCE: 1000M OHMS MIN AT DC 500V  
 OPERATION TEMPERATURE: -40°C~85°C

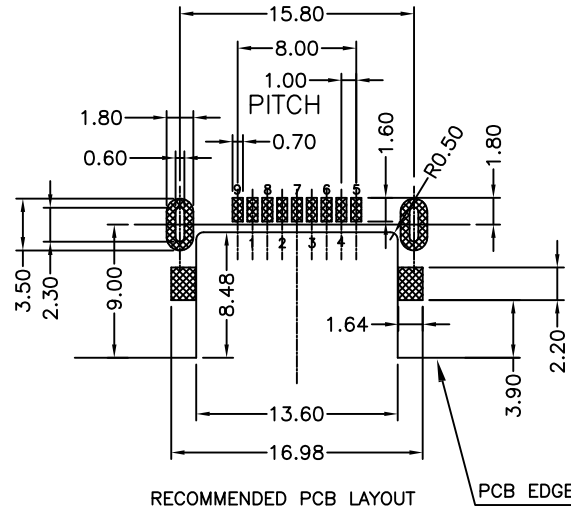
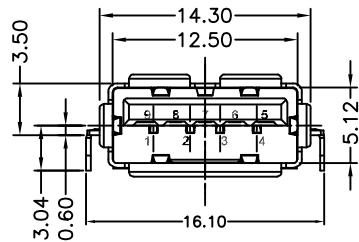
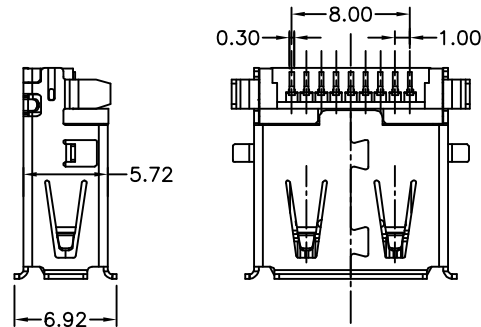
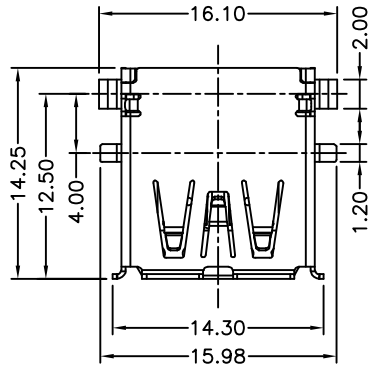
### PART NUMBER

22EBH - 09 \* T - 110 L

SERIES — NO. OF POS. — TIN PLATING ON SOLDER TAIL — LEAD FREE — TRAY PACKAGE

### CONTACT PLATED OPTION

- 1: GOLD FLASH
- 3: 10u" GOLD
- 4: 15u" GOLD
- 6: 30u" GOLD



PIN NUMBER	SIGNAL NAME	PIN NUMBER	SIGNAL NAME
1	VBUS	6	StdA_SSRX+
2	D-	7	GND_DRAIN
3	D+	8	StdA_SSTX-
4	GND	9	StdA_SSTX+
5	StdA_SSRX-	Shell	Shield

淮洋有限公司  
 HUAI YANG CO., LTD.

LINEAR: .X±0.30 .XX±0.20 .XXX±0.10

ANGLES: ±3°

10171  
10170

APPROVALS

DRAWN: Ron

CHECKED: Eric

APPROVED: James

SERIES: USB CONNECTOR SERIES

TITLE: USB 3.0 A TYPE, PCB MOUNT, SMT, METAL SHIELD, FEMALE

SIZE: A4

VERSION: A

DWG NO.: 22EB-001

SCALE: NONE

UNIT: mm

SHEET: 1 OF 1

REV.	DESCRIPTION	DATE
B	UPDATE	2012.11.08
A	RELEASE	2010.5.14

1

2

3

4