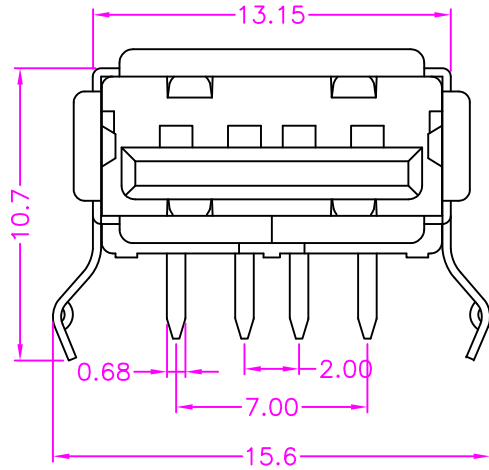
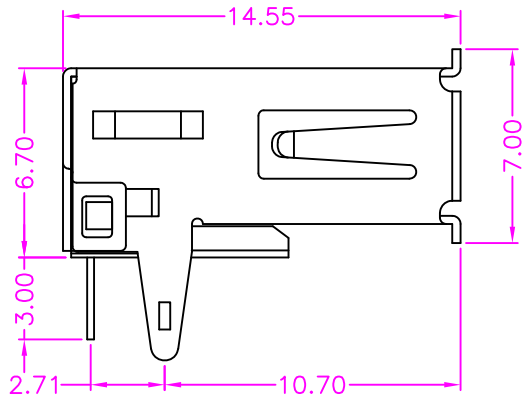


1 2 3 4

A

A



**MATERIALS**

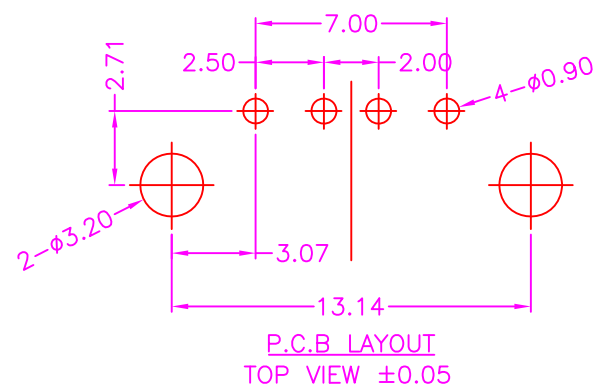
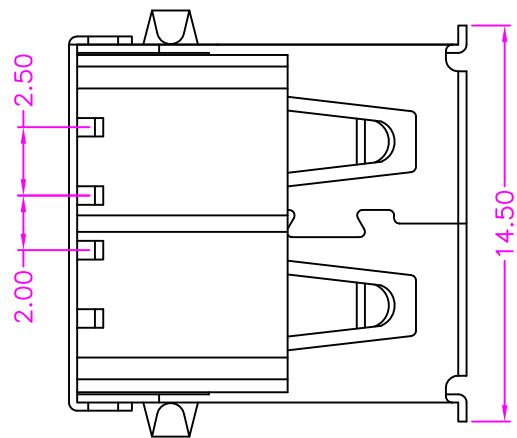
HOUSING: PBT (UL 94V-0), BLACK  
 SHELL: COPPER ALLOY, NICKEL PLATING  
 TERMINAL: COPPER ALLOY, GOLD PLATED ON CONTACT AREA  
 TIN PLATING ON SOLDER TAIL

**SPECIFICATION**

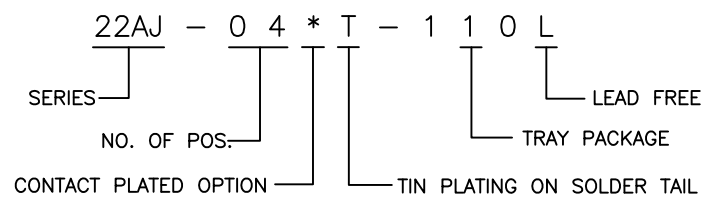
CURRENT RATING: 1 AMP MAX  
 DIELECTRIC WITHSTANDING: 500V AC FOR ONE MINUTE  
 CONTACT RESISTANCE: 30m OHMS MAX  
 INSULATION RESISTANCE: 1000M OHMS MIN AT DC 500V  
 OPERATION TEMPERATURE: -25°C~+85°C

B

B



**PART NUMBER**



- CONTACT PLATED OPTION
- 1: GOLD FLASH
- 2: 5u" GOLD
- 3: 10u" GOLD
- 4: 15u" GOLD
- 6: 30u" GOLD

C

C

D

D

淮洋有限公司 HUAI YANG CO., LTD.		SERIES: USB CONNECTOR SERIES	
		TITLE: USB A TYPE, PCB MOUNT, R/A, METAL SHIELD, REVERSE TYPE, FEMALE	
LINEAR: .X±0.30 .XX±0.20 .XXX±0.10	APPROVALS	SIZE: A4	VERSION: A
ANGLES: ±3°	DRAWN: <i>Mans</i>	DWG NO. 22AJ-001	
	CHECKED: <i>Lion</i>	SCALE: NONE	UNIT: mm
	APPROVED: <i>James</i>	10124	SHEET: 1 OF 1

A	RELEASE	2009.4.30
REV.	DESCRIPTION	DATE

1 2 3 4