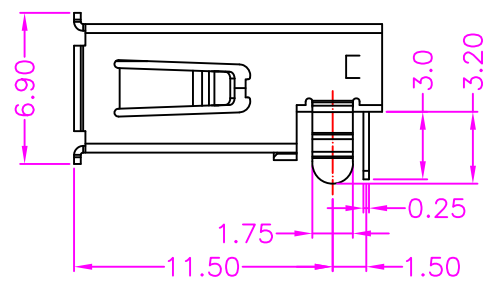
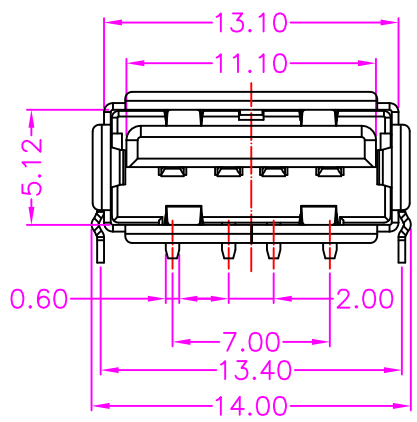


**MATERIALS**

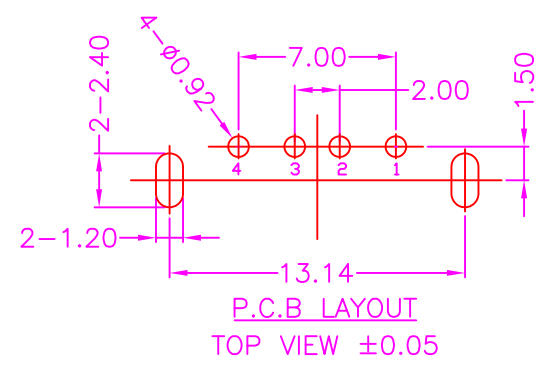
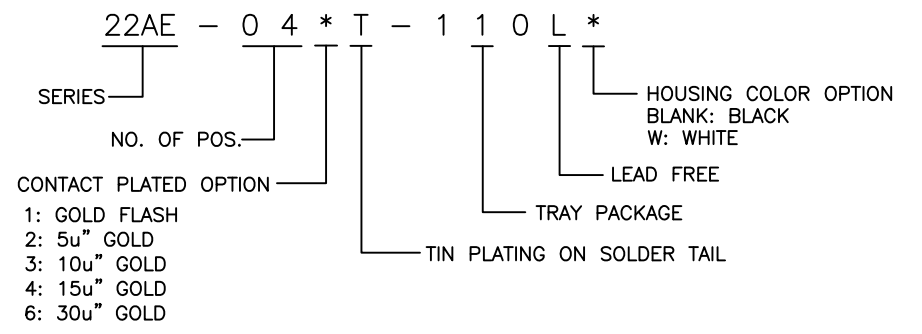
HOUSING: THERMOPLASTIC (UL 94V-0)  
 SHELL: COPPER ALLOY, NICKEL PLATING  
 TERMINAL: COPPER ALLOY, GOLD PLATED ON CONTACT AREA  
 TIN PLATING ON SOLDER TAIL

**SPECIFICATION**

CURRENT RATING: 1 AMP MAX  
 DIELECTRIC WITHSTANDING: 500V AC FOR ONE MINUTE  
 CONTACT RESISTANCE: 30m OHMS MAX  
 INSULATION RESISTANCE: 1000M OHMS MIN AT DC 500V  
 OPERATION TEMPERATURE: -25°C~+85°C



**PART NUMBER**



|   |  |   |  |
|---|--|---|--|
| 淮洋有限公司<br>HUAI YANG CO., LTD.   |  | SERIES: USB CONNECTOR SERIES                                      |  |
| LINEAR: .X±0.30 .XX±0.20 .XXX±0.10  |  | TITLE: USB A TYPE, PCB MOUNT, R/A BOARD CUT, METAL SHIELD, FEMALE |  |
| ANGLES: ±3°   |  | SIZE: A4    VERSION: A    DWG NO. 22AE-001                        |  |
|   |  | SCALE: NONE    UNIT: mm    SHEET: 1 OF 1                          |  |
| APPROVALS<br>DRAWN: <i>Mans</i><br>CHECKED: <i>Lion</i><br>APPROVED: <i>James</i> |  | 10026   |  |

|      |             |           |           |
|------|-------------|-----------|-----------|
| A    | RELEASE     | 2009.6.10 |           |
| REV. | DESCRIPTION | DATE      | 2009.6.10 |