

1

2

3

4

A

A

B

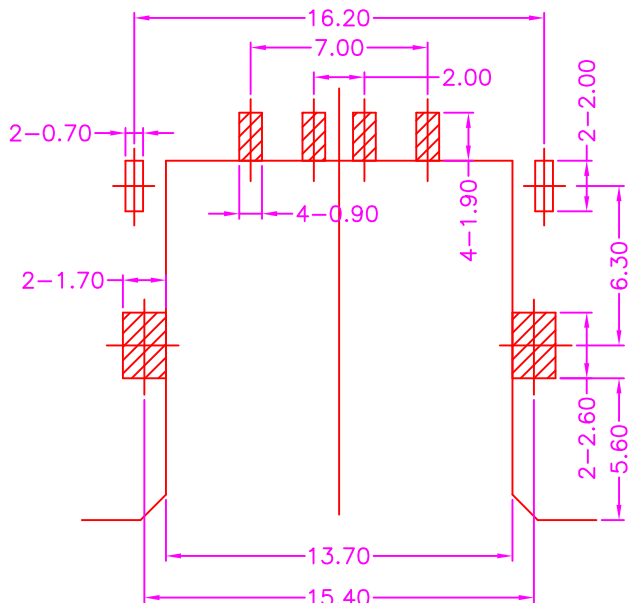
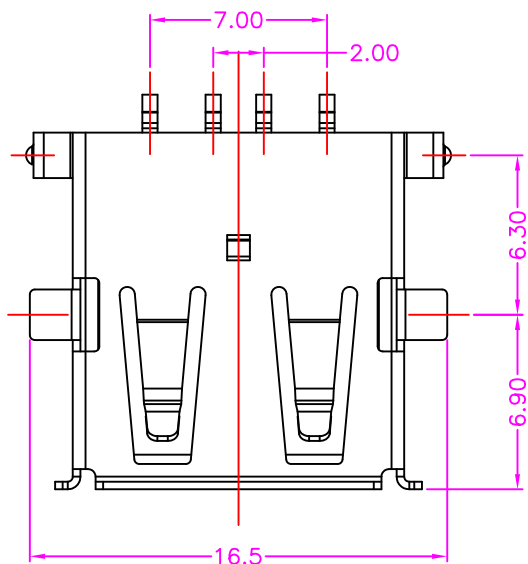
B

C

C

D

D



P.C.B LAYOUT
TOP VIEW ±0.05

MATERIALS

HOUSING: LCP (UL 94V-0)
SHELL: COPPER ALLOY, NICKEL PLATING
TERMINAL: BRASS, GOLD PLATED ON CONTACT AREA
TIN PLATING ON SOLDER TAIL

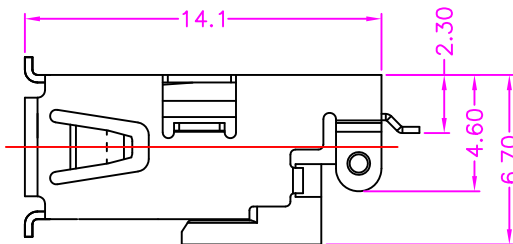
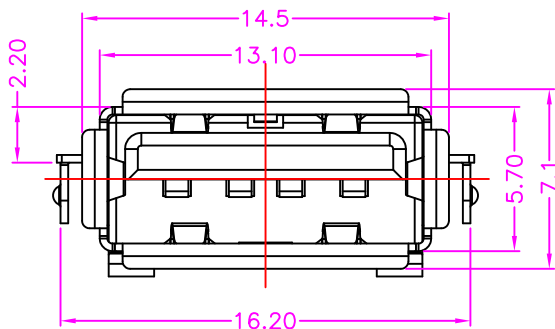
SPECIFICATION

CURRENT RATING: 1 AMP MAX
DIELECTRIC WITHSTANDING: 500V AC FOR ONE MINUTE
CONTACT RESISTANCE: 30m OHMS MAX
INSULATION RESISTANCE: 1000M OHMS MIN AT DC 500V
OPERATION TEMPERATURE: -25°C~+85°C

PART NUMBER

22ADH - 0 4 * T - 1 * 0 L *

SERIES — NO. OF POS. — CONTACT PLATED OPTION — TIN PLATING NO SOLDER TAIL — COLOR OPTION
BLANK: BLACK
BE: BEIGE
LEAD FREE
PACKAGE OPTION
1: TRAY
2: TAPE REEL



| | | | |
|------|-------------|-----------|-----------|
| C | MODIFY DRAW | 2009.7.17 | |
| B | MODIFY DRAW | 2009.5.16 | |
| A | RELEASE | 2008.5.31 | |
| REV. | DESCRIPTION | DATE | 2009.7.17 |

| | | | |
|------------------------------------|--|---|--|
| 淮洋有限公司 HUAI YANG CO., LTD. | | SERIES: USB CONNECTOR SERIES | |
| LINEAR: .X±0.30 .XX±0.20 .XXX±0.10 | | TITLE: USB A TYPE, PCB MOUNT, SMT BOARD CUT, METAL SHIELD, FEMALE | |
| ANGLES: ±3° | | SIZE: A4 VERSION: C DWG NO. 22AD-001 | |
| | | SCALE: NONE UNIT: mm SHEET: 1 OF 1 | |
| 10037 | | APPROVALS DRAWN: <i>Lion</i> CHECKED: <i>Eric</i> APPROVED: <i>James</i> | |

1

2

3

4