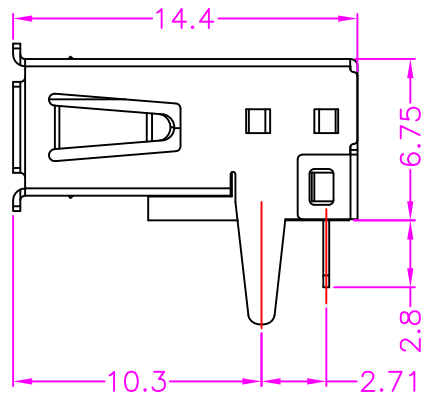
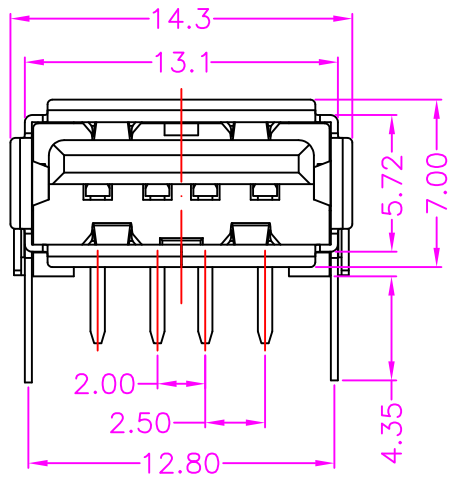


1 2 3 4

A



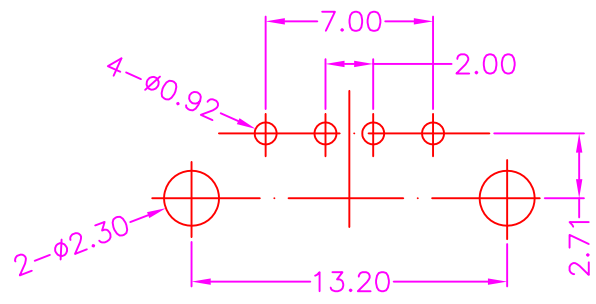
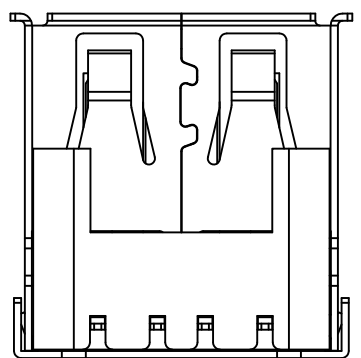
MATERIALS

HOUSING: THERMOPLASTIC (UL 94V-0)
 SHELL: COPPER ALLOY, NICKEL PLATING
 TERMINAL: COPPER ALLOY, GOLD PLATED ON CONTACT AREA
 TIN PLATING ON SOLDER TAIL

SPECIFICATION

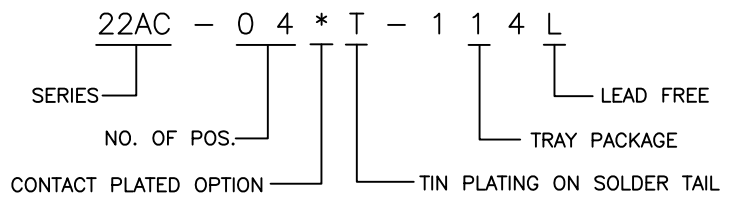
CURRENT RATING: 1 AMP MAX
 DIELECTRIC WITHSTANDING: 500V AC FOR ONE MINUTE
 CONTACT RESISTANCE: 30m OHMS MAX
 INSULATION RESISTANCE: 1000M OHMS MIN AT DC 500V
 OPERATION TEMPERATURE: -25°C~+85°C

B



**P.C.B. LAYOUT
 TOP VIEW ±0.05**

PART NUMBER



- 1: GOLD FLASH
- 2: 5u" GOLD
- 3: 10u" GOLD
- 4: 15u" GOLD
- 6: 30u" GOLD

C

D

淮洋有限公司 HUAI YANG CO., LTD.		SERIES: USB CONNECTOR SERIES	
LINEAR: .X±0.30 .XX±0.20 .XXX±0.10		TITLE: USB A TYPE, PCB MOUNT, R/A, METAL SHIELD, FEMALE	
ANGLES: ±3°		SIZE: A4 VERSION: A DWG NO.: 22AC-005	
		SCALE: NONE UNIT: mm SHEET: 1 OF 1	
APPROVALS DRAWN: <i>Mans</i> CHECKED: <i>Lion</i> APPROVED: <i>James</i>		10126	

A	RELEASE	2009.8.4	
REV.	DESCRIPTION	DATE	2009.8.4

1 2 3 4