

1

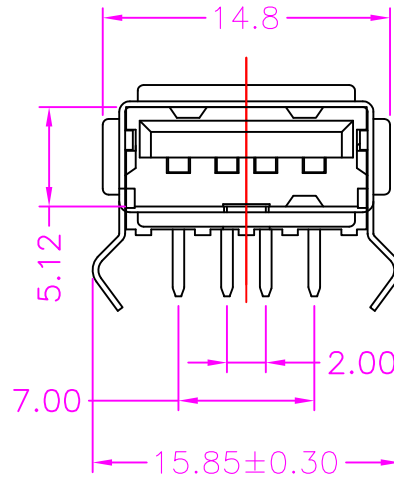
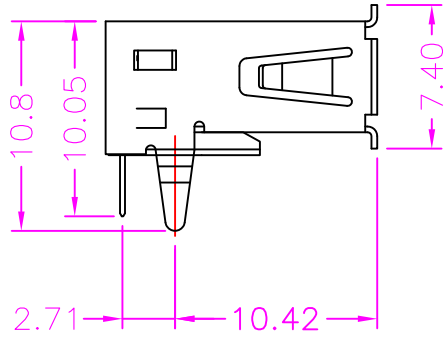
2

3

4

A

A



MATERIALS

HOUSING: PBT (UL 94V-0)

SHELL: BRASS, NICKEL PLATED (t=0.30)

TERMINAL: BRASS (t=0.25)

SPECIFICATION

CURRENT RATING: 1AMP MAX

DIELECTRIC WITHSTANDING: 500V AC FOR ONE MINUTE

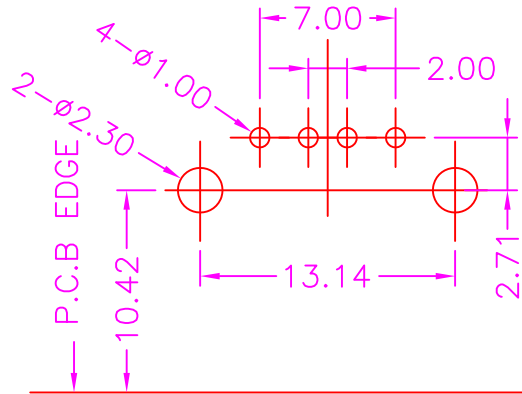
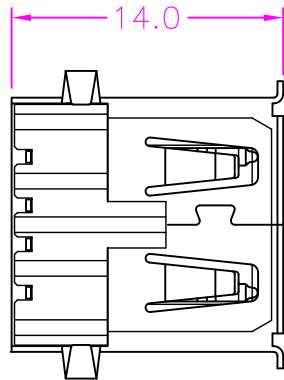
CONTACT RESISTANCE: 30m OHMS MAX

INSULATION RESISTANCE: 1000M OHMS AT DC 500V

OPERATION TEMPERATURE: -25°C TO +85°C

B

B



P.C.B LAYOUT TOP VIEW ±0.05

PART NUMBER

22AC - 0 4 * T - 1 1 0 L

SERIES

NO. OF POS.

CONTACT PLATED OPTION

- 1: GOLD FLASH
- 6: 30u" GOLD

LEAD FREE

TRAY PACKAGE


TIN PLATING ON SOLDER TAIL

C

C

D

D

淮洋有限公司 HUAI YANG CO., LTD.		SERIES: USB CONNECTOR SERIES	
LINEAR: .X±0.30 .XX±0.20 .XXX±0.10		TITLE: USB A TYPE, PCB MOUNT, R/A, METAL SHIELD, FEMALE	
ANGLES: ±3°		APPROVALS DRAWN: <i>Lion</i> CHECKED: <i>Eric</i> APPROVED: <i>James</i>	
		SIZE: A4	VERSION: A
10026		DWG NO. 22AC-001	
		SCALE: NONE	UNIT: mm
		SHEET: 1 OF 1	

A	RELEASE	2008.4.1
REV.	DESCRIPTION	DATE

1

2

3

4