

1

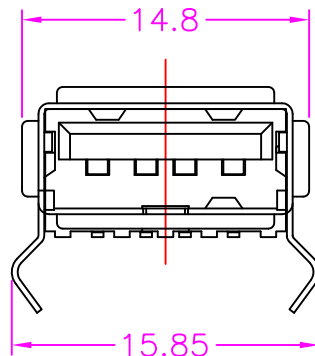
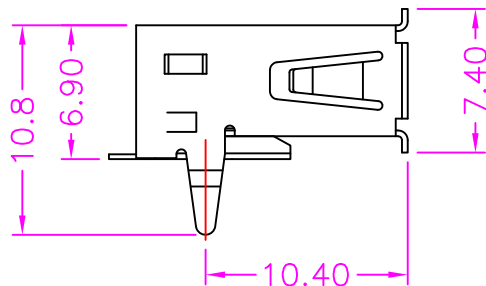
2

3

4

A

A



MATERIALS

HOUSING: HI-TEMP. PLASTIC (UL 94V-0)

SHELL: COLL ROLLED STEEL, NICKEL PLATED (t=0.30)

TERMINAL: COPPER ALLOY (t=0.25)

SPECIFICATION

CURRENT RATING: 1AMP MAX

DIELECTRIC WITHSTANDING: 500V AC FOR ONE MINUTE

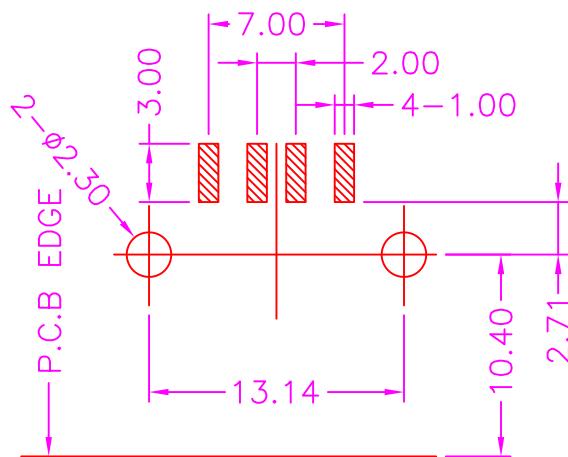
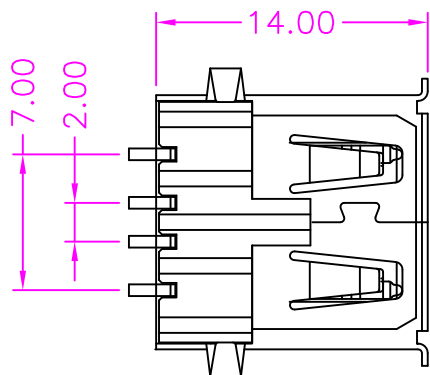
CONTACT RESISTANCE: 30m OHMS MAX

INSULATION RESISTANCE: 1000M OHMS AT DC 500V

OPERATION TEMPERATURE: -25°C TO +85°C

B

B



PART NUMBER

22ABH - 0 4 * T - 1 1 1 L

SERIES ————

NO. OF POS. ————

CONTACT PLATED OPTION ————

LEAD FREE

TRAY PACKAGE

TIN PLATING ON SOLDER TAIL

1: GOLD FLASH



6: 30u" GOLD

C

C

D

D

淮洋有限公司 HUAI YANG CO., LTD.		SERIES: USB CONNECTOR SERIES	
LINEAR: .X±0.30 .XX±0.20 .XXX±0.10		TITLE: USB A TYPE, PCB MOUNT, SMT, METAL SHIELD, FEMALE	
ANGLES: ±3°		SIZE: A4 VERSION: A DWG NO. 22AB-002	
 		SCALE: NONE UNIT: mm SHEET: 1 OF 1	
APPROVALS DRAWN: <i>Lion</i> CHECKED: <i>Eric</i> APPROVED: <i>James</i>		10026	

A	RELEASE	2008.9.30
REV.	DESCRIPTION	DATE

1

2

3

4