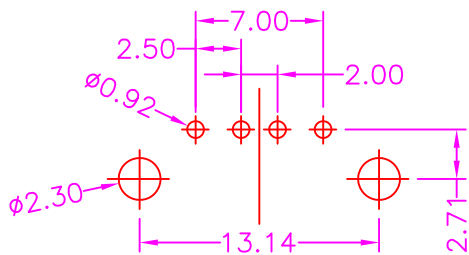
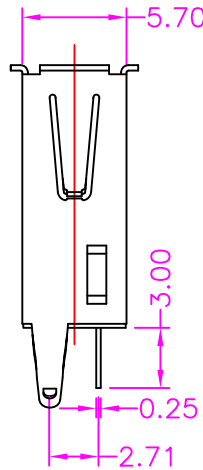
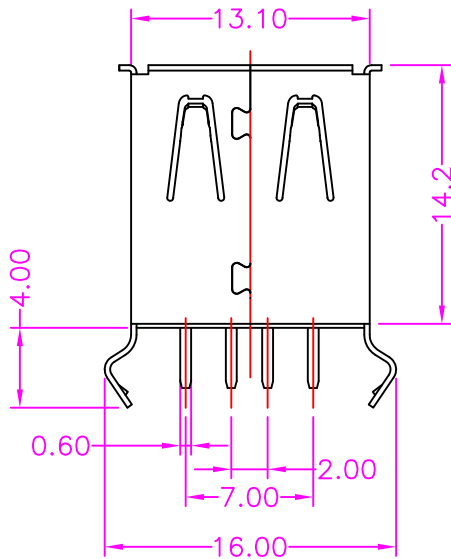
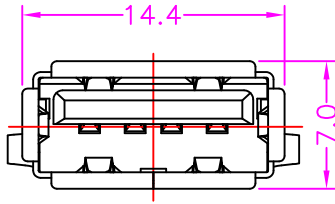


1

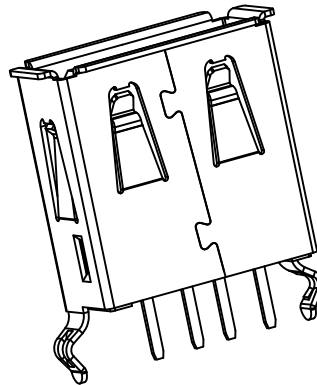
2

3

4



P.C.B LAYOUT  
TOP VIEW ±0.05



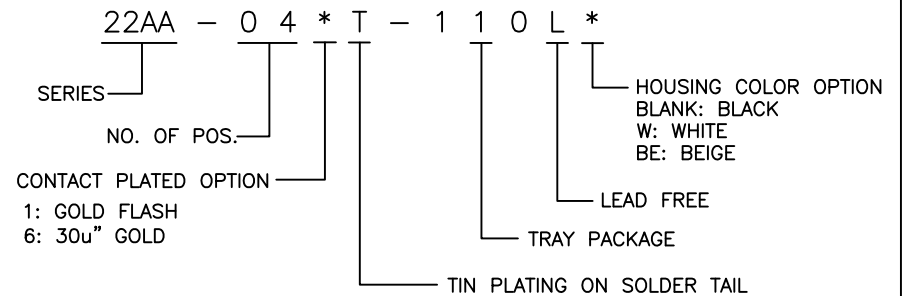
**MATERIALS**

HOUSING: PBT (UL 94V-0)  
 SHELL: COPPER ALLOY, NICKEL PLATING  
 TERMINAL: COPPER ALLOY, GOLD PLATED ON CONTACT AREA  
 TIN PLATING ON SOLDER TAIL

**SPECIFICATION**

CURRENT RATING: 1AMP MAX  
 DIELECTRIC WITHSTANDING: 500V AC FOR ONE MINUTE  
 CONTACT RESISTANCE: 30m OHMS MAX  
 INSULATION RESISTANCE: 1000M OHMS AT DC 500V  
 OPERATION TEMPERATURE: -25°C TO +85°C

**PART NUMBER**



淮洋有限公司 <b>HUAI YANG CO., LTD.</b>		SERIES: USB CONNECTOR SERIES	
LINEAR: .X±0.30 .XX±0.20 .XXX±0.10 ANGLES: ±3°		TITLE: USB A TYPE, PCB MOUNT, VERTICAL, METAL SHIELD, FEMALE	
APPROVALS DRAWN: <i>Lion</i> CHECKED: <i>Eric</i> APPROVED: <i>James</i>		SIZE: A4 VERSION: A	DWG NO.: 22AA-001
		SCALE: NONE	UNIT: mm SHEET: 2 OF 1

A	RELEASE	2008.11.3
REV.	DESCRIPTION	DATE

1

2

3

4

1

2

3

4

A

A

B

B

C

C

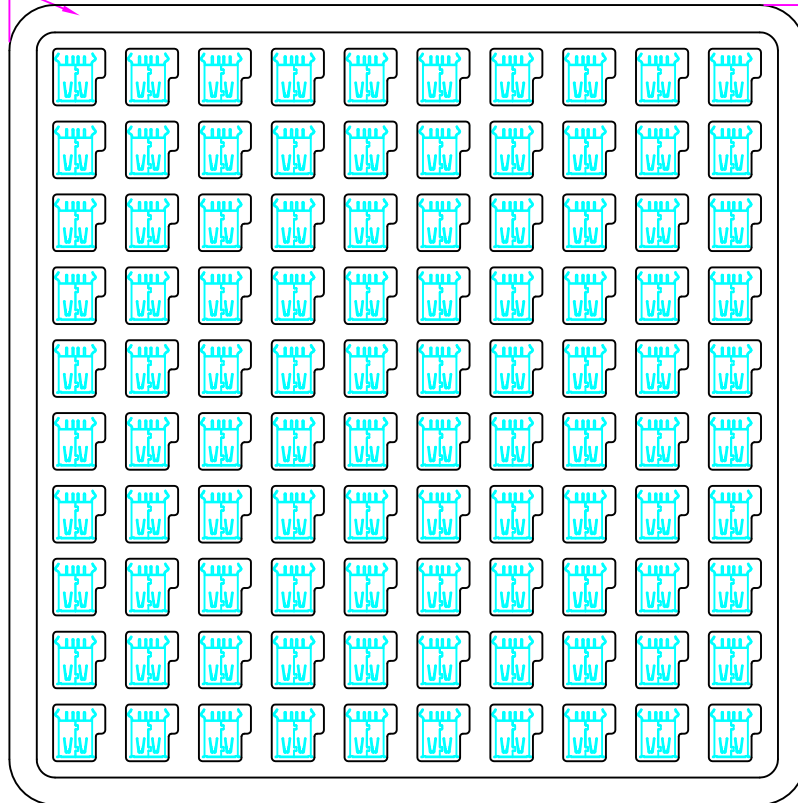
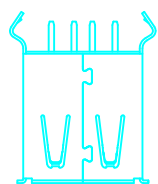
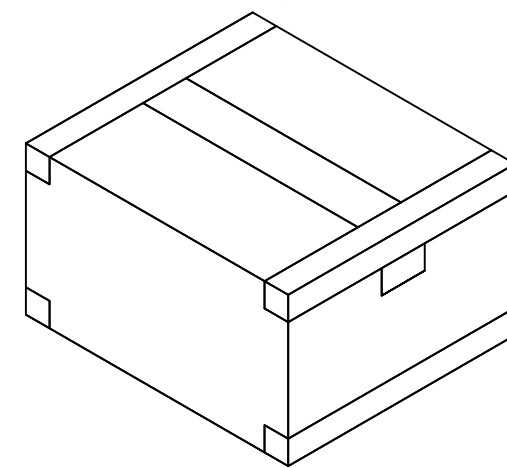
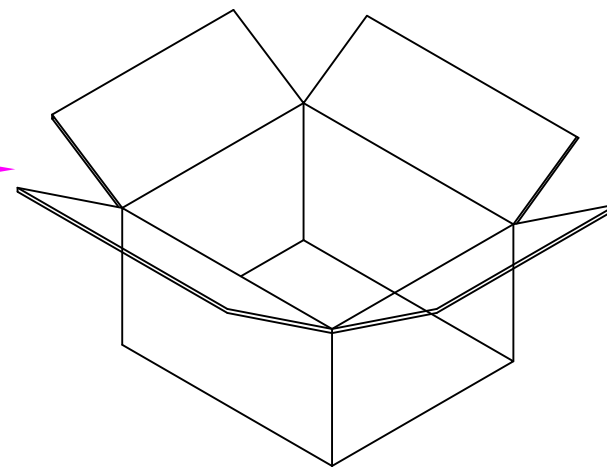
D

D

PASTER ROHS

270.0

270.0



包裝數量(NUMBER OF CONNECTORS):

100 PCS/TRAY

30 TRAY/BOX

3000 PCS/BOX

淮洋有限公司 HUAI YANG CO., LTD.		SERIES: USB CONNECTOR SERIES		
		TITLE: USB A TYPE, PCB MOUNT, VERTICAL, METAL SHIELD, FEMALE, PACKAGE		
LINEAR: .X±0.30 .XX±0.20 .XXX±0.10	APPROVALS		SIZE: A4	VERSION: A
ANGLES: ±3°	DRAWN: <i>Lion</i>		DWG NO. 22AA-001-1	
	CHECKED: <i>Eric</i>	APPROVED: <i>James</i>		
	10026	SCALE: NONE	UNIT: mm	SHEET: 2 OF 1

A	RELEASE	2008.11.3
REV.	DESCRIPTION	DATE

1

2

3

4