

1 2 3 4

A

B

C

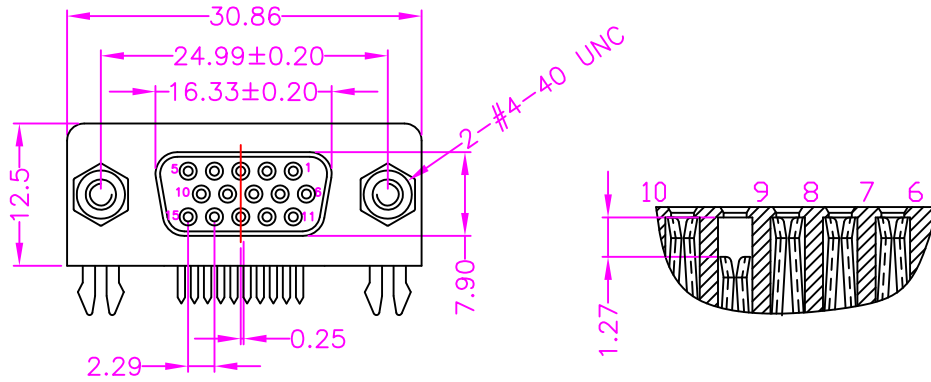
D

A

B

C

D

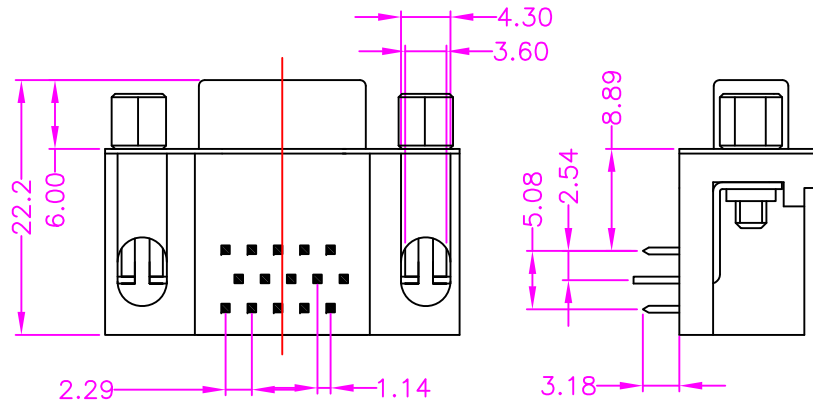


**MATERIALS**

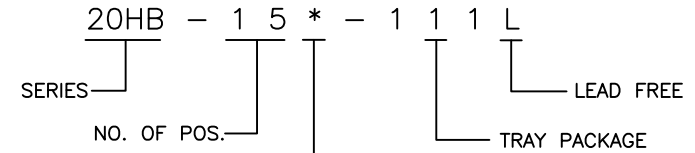
HOUSING: PBT (UL 94V-0), BLUE  
 SHELL: STEEL, TIN PLATING  
 BOARD LOCK: BRASS, TIN PLATED  
 HEX NUT: BRASS, NICKEL PLATING  
 TERMINAL: COPPER ALLOY, GOLD PLATED

**SPECIFICATION**

CURRENT RATING: 5 AMP MAX  
 DIELECTRIC WITHSTANDING: 1000V AC FOR ONE MINUTE  
 CONTACT RESISTANCE: 30m OHMS MAX  
 INSULATION RESISTANCE: 1000M OHMS MIN AT DC 500V  
 OPERATION TEMPERATURE: -55°C~+105°C

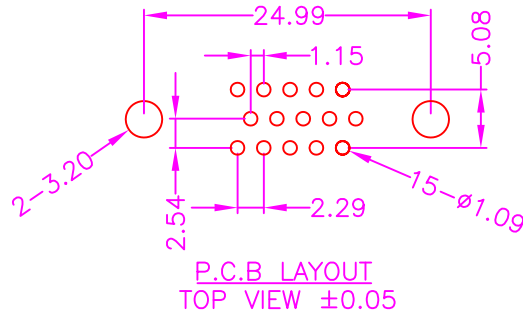


**PART NUMBER**



**CONTACT PLATED OPTION**

1: GOLD FLASH  
 6: 30u" GOLD



淮洋有限公司 HUAI YANG CO., LTD		SERIES: D-SUB CONNECTOR SERIES			
		TITLE: HIGH DENSITY D-SUB, PCB MOUNT, R/A, FROOT PRINT 8.89mm, METAL SHIELD, FEMALE, BOARDLOCK AND HEX NUT ASSEMBLY			
LINEAR: .X±0.30 .XX±0.20 .XXX±0.10		APPROVALS		SIZE: A4	
ANGLES: ±3°		DRAWN: <i>Lion</i>		VERSION: A	
		CHECKED: <i>Eric</i>		DWG NO. 20HB-002	
10084		APPROVED: <i>James</i>		SCALE: NONE	
				UNIT: mm	
				SHEET: 1 OF 1	

A	RELEASE	2008.6.4
REV.	DESCRIPTION	DATE

1 2 3 4