

A

B

C

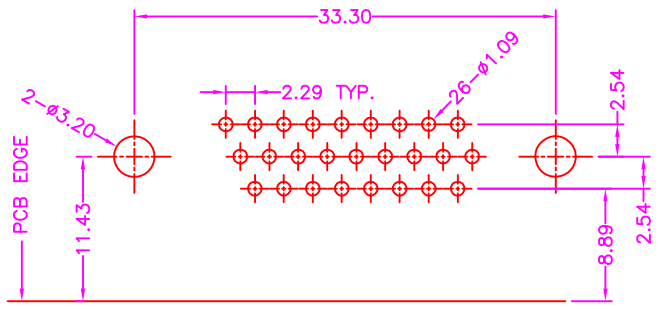
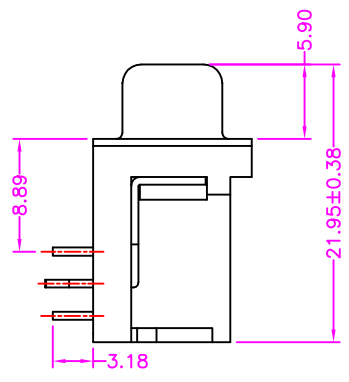
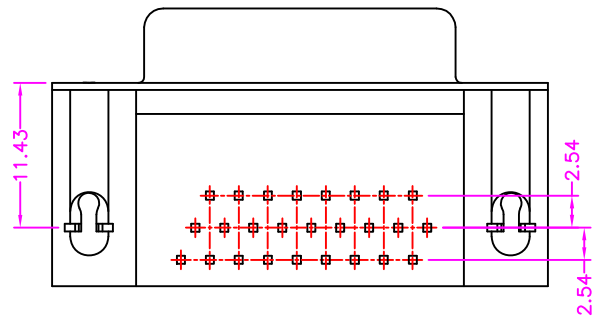
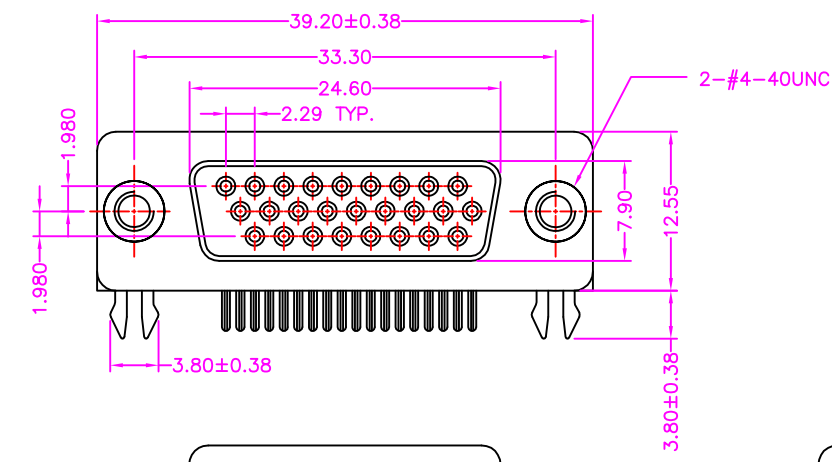
D

A

B

C

D



P.C.B. LAYOUT  
TOP VIEW ±0.05

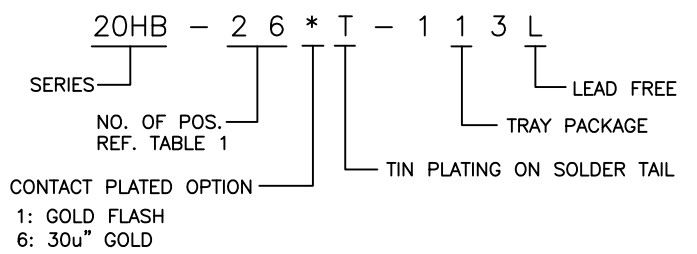
MATERIALS

HOUSING: PBT (UL 94V-0)  
SHELL: SPCC, NICKEL PLATING  
BOARDLOCK: SPCC, TIN PLATING  
TERMINAL: COPPER ALLOY, GOLD PLATED ON CONTACT AREA  
TIN PLATING ON SOLDER TAIL

SPECIFICATION

CURRENT RATING: 5 AMP MAX  
DIELECTRIC WITHSTANDING: 1000V AC FOR ONE MINUTE  
CONTACT RESISTANCE: 30m OHMS MAX  
INSULATION RESISTANCE: 1000M OHMS MIN AT DC 500V  
OPERATION TEMPERATURE: -55°C~+105°C

PART NUMBER



淮洋有限公司 HUAI YANG CO., LTD		SERIES: D-SUB CONNECTOR SERIES	
LINEAR: .X±0.30 .XX±0.20 .XXX±0.10 ANGLES: ±3°		TITLE: HIGH DENSITY D-SUB, PCB MOUNT, R/A, FROOT PRINT 8.89mm, METAL SHIELD, FEMALE, BOARDLOCK	
APPROVALS DRAWN: <i>Lion</i> CHECKED: <i>Eric</i> APPROVED: <i>James</i>		SIZE: A4 VERSION: A DWG NO.: 20HB-004	
10101		SCALE: NONE UNIT: mm SHEET: 1 OF 1	

A	RELEASE	2009.1.9
REV.	DESCRIPTION	DATE