

1

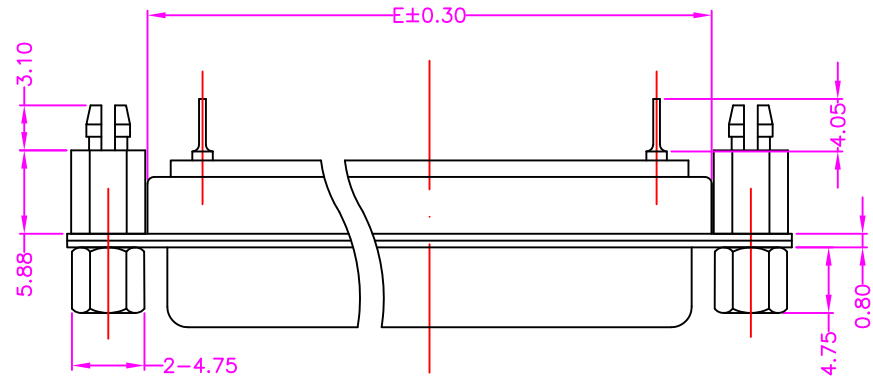
2

3

4

A

A



MATERIALS

HOUSING: PBT (UL 94V-0)
 FRONT SHELL: IRON, NICKEL PLATING
 REAR SHELL: IRON, TIN PLATING
 HEX NUT: COPPER ALLOY, TIN PLATING
 TERMINAL: COPPER ALLOY, GOLD PLATED ON CONTACT AREA
 TIN PLATING ON SOLDER TAIL

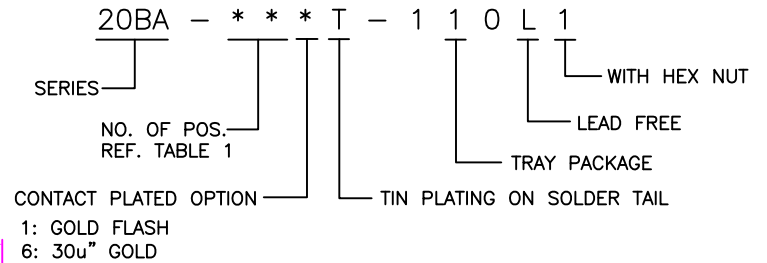
SPECIFICATION

CURRENT RATING: 5 AMP MAX
 DIELECTRIC WITHSTANDING: 1000V AC FOR ONE MINUTE
 CONTACT RESISTANCE: 30m OHMS MAX
 INSULATION RESISTANCE: 1000M OHMS MIN AT DC 500V
 OPERATION TEMPERATURE: -55°C~+105°C

B

B

PART NUMBER



C

C

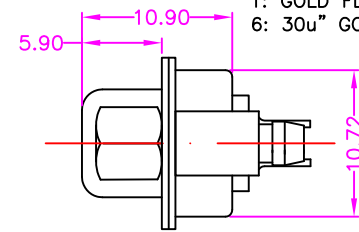
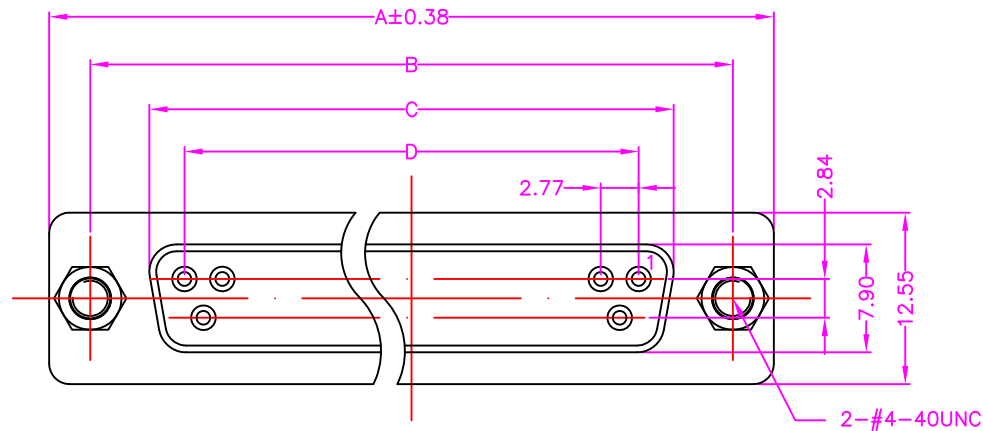
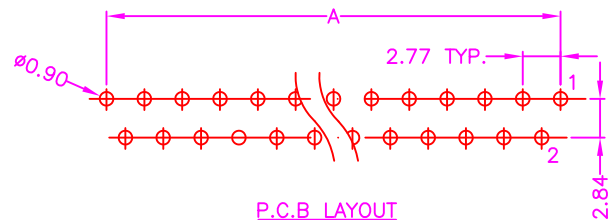


TABLE 1

POS	A	B	C	D	E
09	30.81	24.99	16.33	11.08	19.28
15	39.14	33.32	24.66	19.39	27.65
19	44.85	38.86	30.07	24.93	32.86
23	50.27	44.28	35.54	30.47	38.38
25	53.04	47.04	38.38	33.24	41.30
37	69.32	63.50	54.84	49.86	57.44

D

D



P.C.B. LAYOUT TOP VIEW ±0.05

淮洋有限公司 HUAI YANG CO., LTD		SERIES: D-SUB CONNECTOR SERIES	
		TITLE: D-SUB, PCB MOUNT, VERTICAL, METAL SHIELD, FEMALE, STAMPED PIN	
LINEAR: .X±0.30 .XX±0.20 .XXX±0.10	APPROVALS	SIZE: A4	VERSION: A
ANGLES: ±3°	DRAWN: <i>Lion</i>	DWG NO. 20BA-001	
	CHECKED: <i>Eric</i>	SCALE: NONE	UNIT: mm
	APPROVED: <i>James</i>	SHEET: 1 OF 1	

A	RELEASE	2008.12.5
REV.	DESCRIPTION	DATE

1

2

3

4