



淮洋有限公司 HUI YANG CO., LTD.

TEL : 886-2-8261-8986 FAX : 886-2-8261-1885

www.hy1688.com.tw 236新北市土城區中央路二段191號10樓之5



Feature -


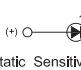
- small size
- bi-color LED illuminated available
- long electrical life cycles

Application -

- consumer products
- computer products
- instrumentation
- communication equipments

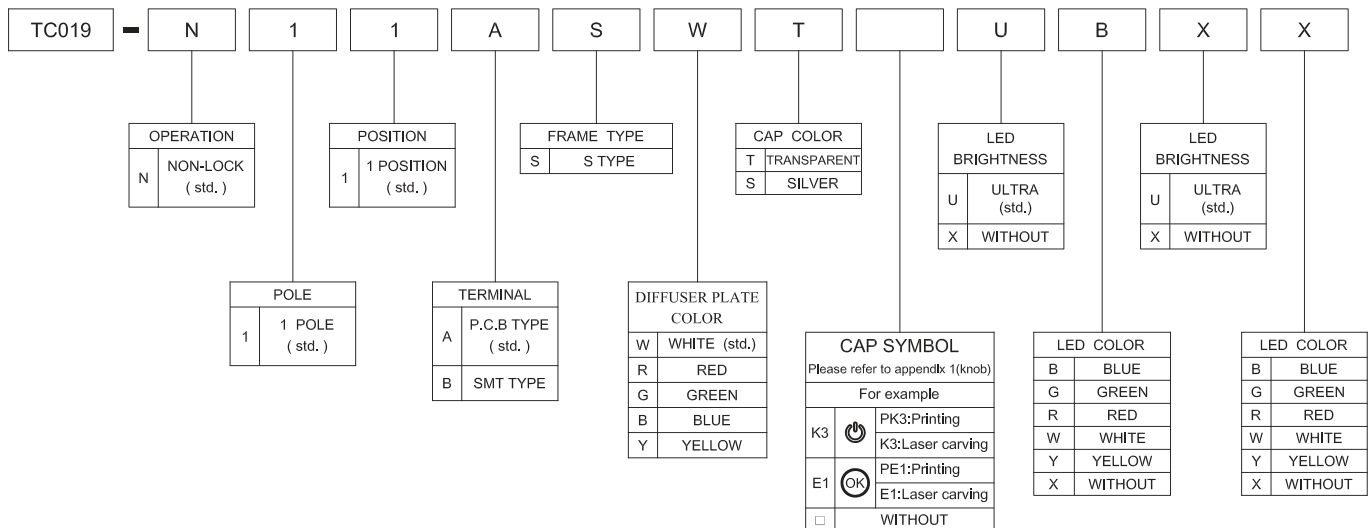
► SPECIFICATIONS

| SWITCH SPECIFICATIONS       |  |
|-----------------------------|--|
| POLE - POSITION             | Momentary action , SPST                                |
| CONTACT RATING              | 20 V DC , 1 mA   |
| CONTACT RESISTANCE          | 200Ω MAX. 5 V DC ; 1 mA ,<br>by Method of Voltage DROP |
| INSULATION RESISTANCE       | 100 MΩ MIN. 100 V DC for 1 minute                      |
| DIELECTRIC STRENGTH         | Breakdown is not Allowable ;<br>250 V AC for 1 Minute  |
| OPERATING FORCE             | 60 ± 20 gf   |
| OPERATING LIFE              | 500,000 cycles   |
| OPERATING TEMPERATURE RANGE | -20°C ~ 70°C   |
| TOTAL TRAVEL                | 1.3 ± 0.1 mm   |

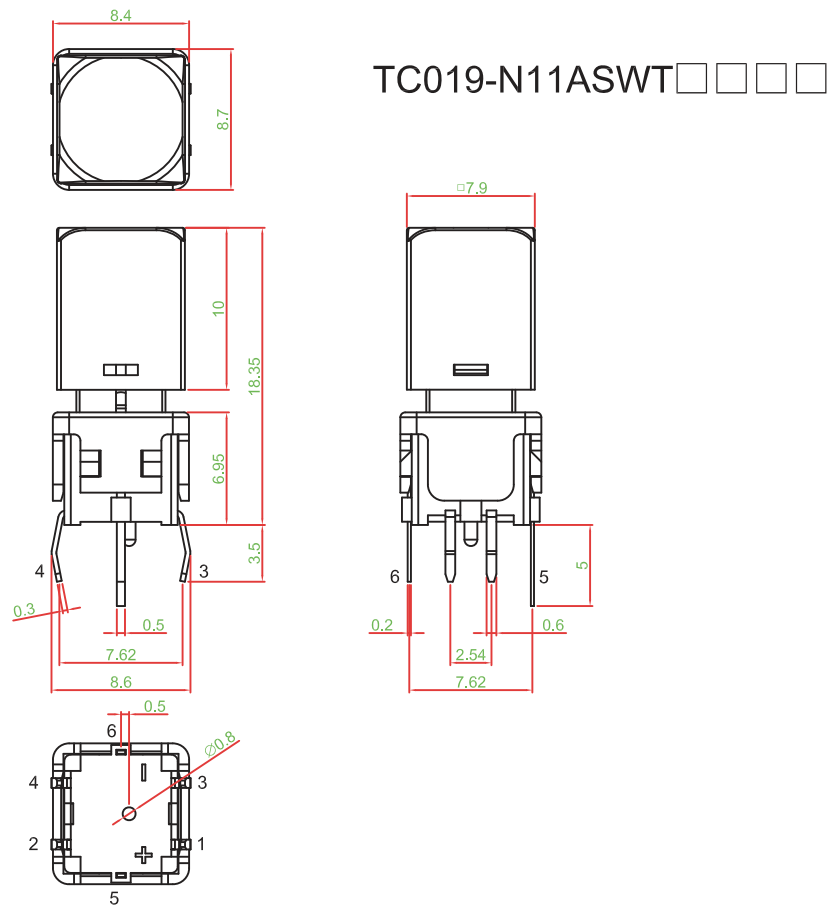
| LED SPECIFICATIONS  |   | Unit | Value / LED Color |         |         |                  |       |
|---|---|------|-------------------|---------|---------|------------------|-------|
|   |   |      | Blue              | Green   | Red     | White            | Yell  |
|  ATTENTION |  LEDs are Electrostatic Sensitive devices |      |                   |         |         |                  |       |
| FORWARD CURRENT   | If  | mA   | 10                | 20      | 20      | 2                | 20    |
| REVERSE VOLTAGE   | Vr  | V    | 5.0               | 5.0     | 5.0     | 5.0              | 5.0   |
| REVERSE CURRENT   | Ir  | µA   | 10                | 10      | 10      | 10               | 10    |
| FORWARD VOLTAGE   | Vf  | V    | @ 10mA<br>3.0-4.0 | 2.1-2.5 | 2.0-2.5 | @ 2mA<br>2.8-4.0 | 2.0-2 |
| LUMINOUS INTENSITY  | Iv  | mcd  | @ 10mA<br>200     | 800     | 1800    | @ 2mA<br>12      | 180   |

Physical and electrical information of LED will be provided upon customer's request on switches .

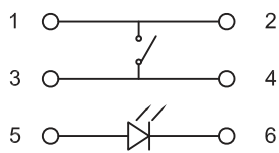
► HOW TO ORDER



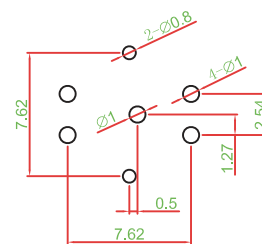
▶ DIMENSION



▶ CIRCUIT DIAGRAM



▶ P.C.B. LAYOUT



▶ MATERIAL

- FRAME : PA + GF
- ACTUATOR : PA + GF
- TERMINAL : BRASS ; SILVER PLATING
- DIFFUSER PLATE : PC
- CAP : PC

