



淮洋有限公司 HUI YANG CO., LTD.

TEL : 886-2-8261-8986 FAX : 886-2-8261-1885

www.hy1688.com.tw 236新北市土城區中央路二段191號10樓之5



Feature -

- water proof IP67 sealed
- medium size,
- bi-color LED illuminated available
- long electrical life cycles
- SMT and vertical PCB terminal

Application -

- consumer products
- computer products
- instrumentation
- communication equipments

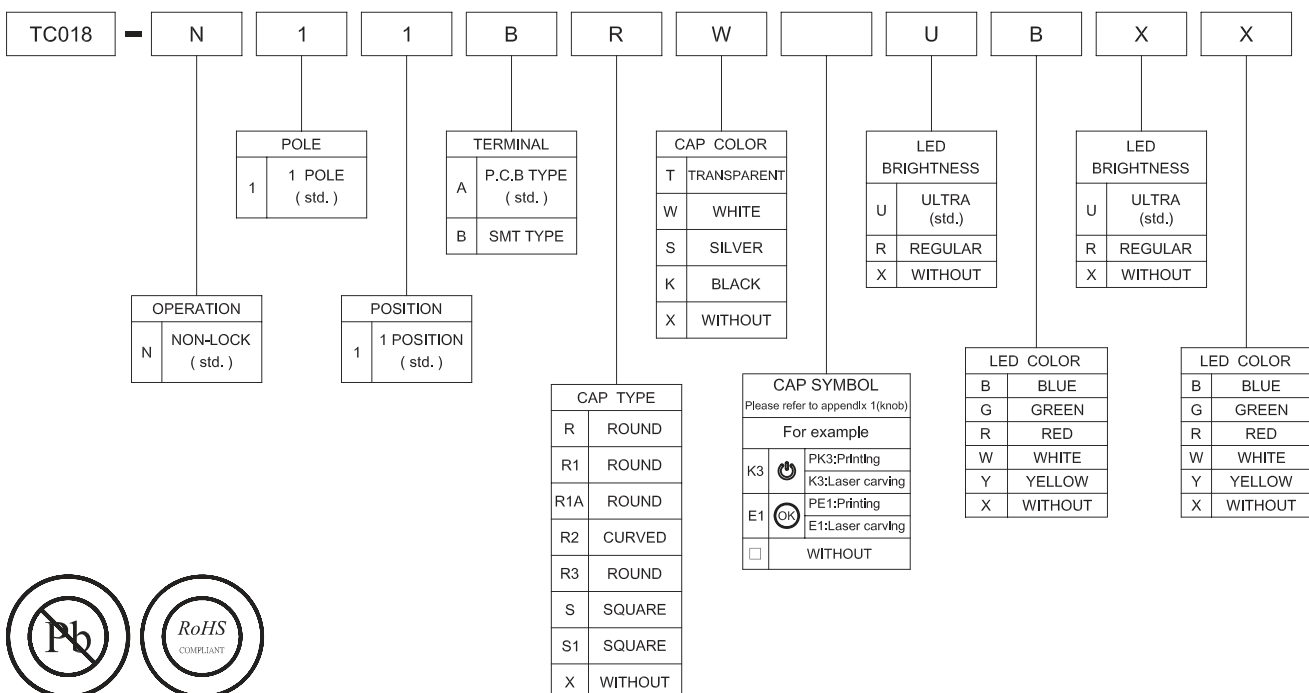
► SPECIFICATIONS

SWITCH SPECIFICATIONS	
POLE - POSITION	1P1T, with LED
CONTACT RATING	24 V DC , 50 mA
CONTACT RESISTANCE	50 mΩ MAX. 1.5 V DC ; 100 mA , by Method of Voltage DROP
INSULATION RESISTANCE	100 MΩ MIN. 500 V DC
DIELECTRIC STRENGTH	Breakdown is not Allowable ; 500 V AC for 1 Minute
OPERATING FORCE	300 ± 100 gf
OPERATING LIFE	1,500,000 cycles
OPERATING TEMPERATURE RANGE	-30°C ~ 85°C
TOTAL TRAVEL	1.0 ± 0.3 mm
SEALING	IP67

LED SPECIFICATIONS		Unit	Value / LED Color				
			Blue	Green	Red	White	Yellow
ATTENTION	LEDs are Electrostatic Sensitive devices						
FORWARD CURRENT	If	mA	30	30	15	30	20
REVERSE VOLTAGE	Vr	V	5.0	5.0	5.0	5.0	5.0
REVERSE CURRENT	Ir	μA	10	10	10	10	10
FORWARD VOLTAGE@20mA	Vf	V	3.5-4.0	1.7-2.8	1.7-2.8	3.3-3.8	1.7-2.8
LUMINOUS INTENSITY@10mA	Iv	mcd	@20mA 180-245	24-40	4.0-7.0	@20mA 145	18-30

■ Physical and electrical information of LED will be provided upon customer's request on switches .

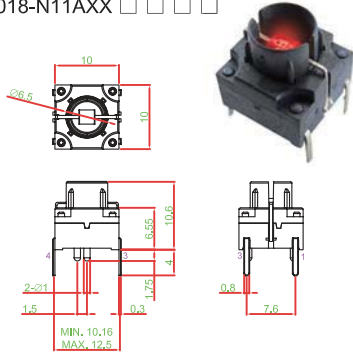
► HOW TO ORDER



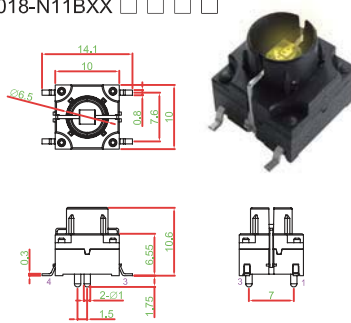
▶ FRAME TYPE OPTION

▶ CAP TYPE

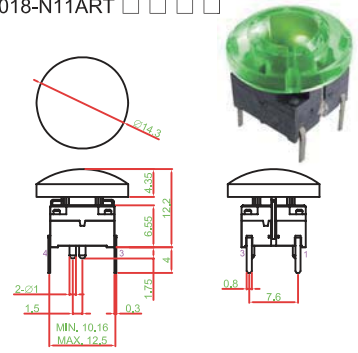
TC018-N11AXX □ □ □ □



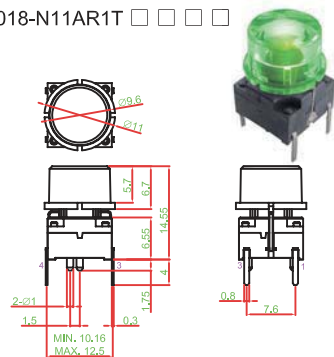
TC018-N11BXX □ □ □ □



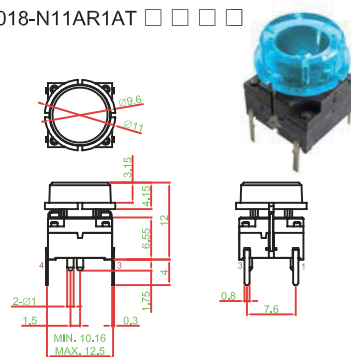
TC018-N11ART □ □ □ □



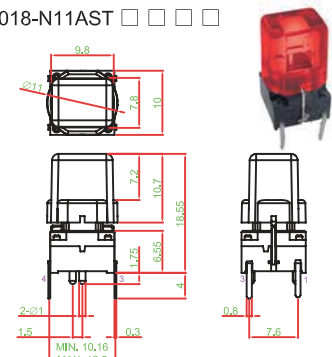
TC018-N11AR1T □ □ □ □



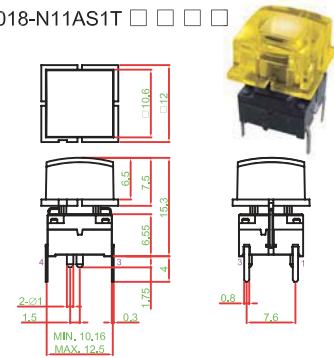
TC018-N11AR1AT □ □ □ □



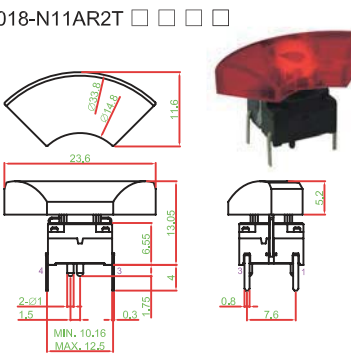
TC018-N11AST □ □ □ □



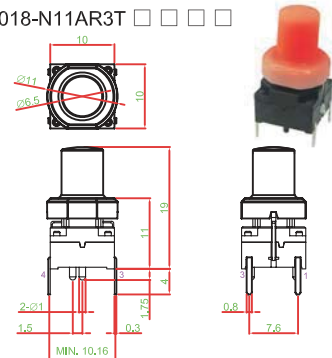
TC018-N11AS1T □ □ □ □



TC018-N11AR2T □ □ □ □



TC018-N11AR3T □ □ □ □

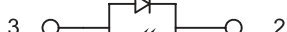


▶ CIRCUIT

SINGLE LED COLOR

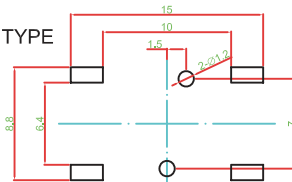


DUAL LED COLOR

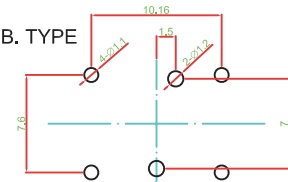


▶ P.C.B LAYOUT

SMT TYPE



P.C.B. TYPE



▶ MATERIAL

- ACTUATOR - PA
- TERMINAL - BRASS SILVER PLATING

- FRAME - PA
- SPRING - STAINLESS STEEL

