



淮洋有限公司 HUI YANG CO., LTD.

TEL : 886-2-8261-8986 FAX : 886-2-8261-1885

www.hy1688.com.tw 236新北市土城區中央路二段191號10樓之5



Feature -

SPST
mini in dimension

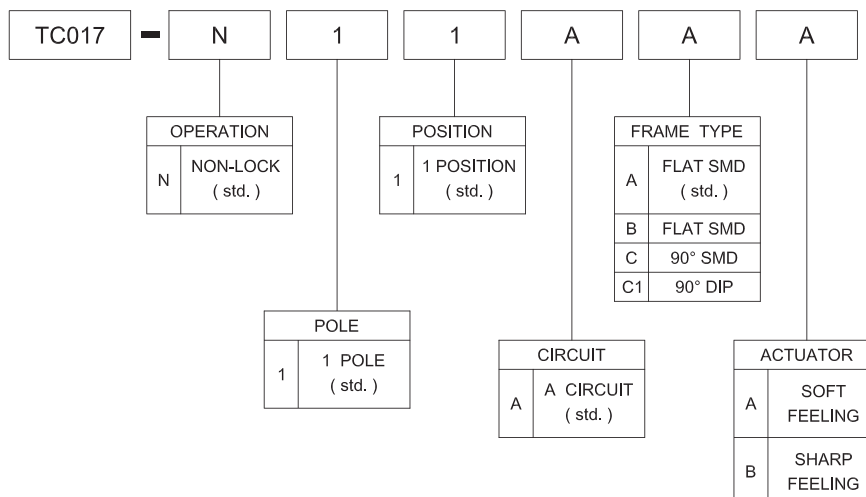
Application -

consumer products
computer products
instrumentation
communication equipments

► SPECIFICATIONS

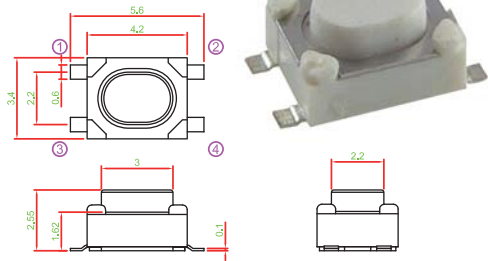
SWITCH SPECIFICATIONS	
POLE - POSITION	Momentary action , SPST
CONTACT RATING	MAX. : 12 V DC , 50 mA MIN. : 1 V DC , 50 μ A
CONTACT RESISTANCE	500 m Ω MAX. 5 V DC ; 10 mA , by Method of Voltage DROP
INSULATION RESISTANCE	100 M Ω MIN. 100 V DC for 1 minute
DIELECTRIC STRENGTH	Breakdown is not Allowable ; 250 V AC for 1 Minute
OPERATING FORCE	160 \pm 50 gf
OPERATING LIFE	100,000 cycles
OPERATING TEMPERATURE RANGE	-20 $^{\circ}$ C ~ 70 $^{\circ}$ C
TOTAL TRAVEL	0.2 \pm 0.10 mm

► HOW TO ORDER

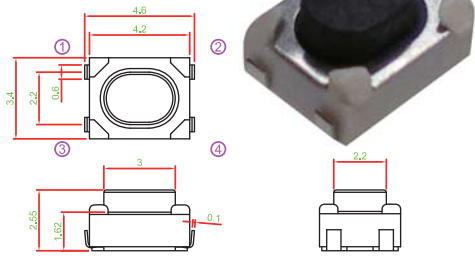


▶ DIMENSION

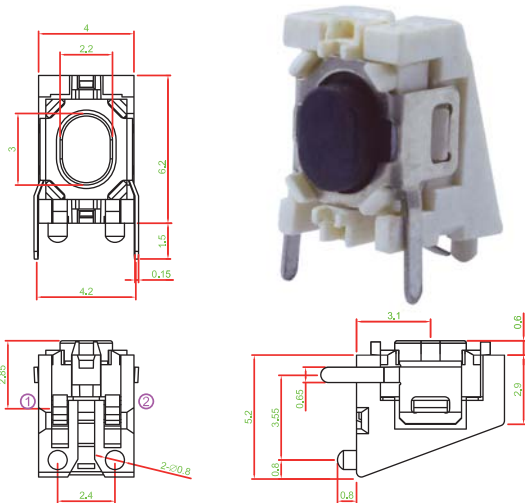
TC017-N11AAA



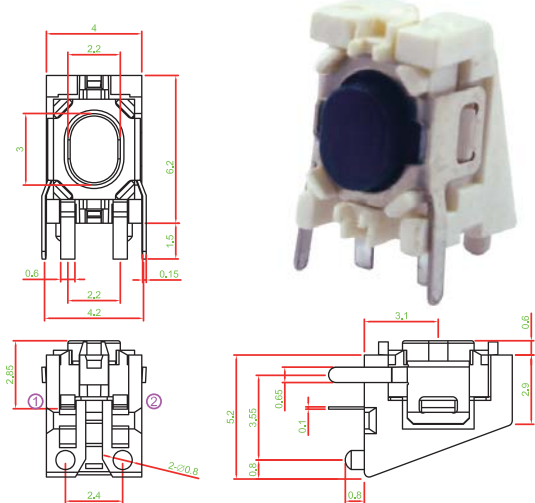
TC017-N11ABB



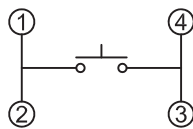
TC017-N11ACA



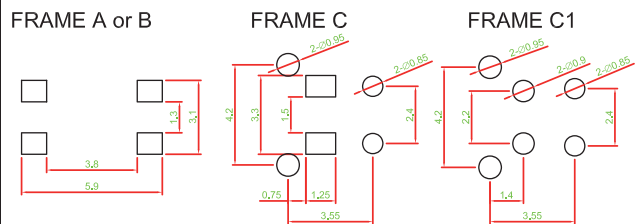
TC017-N11AC1A



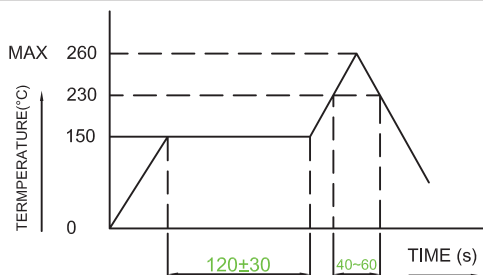
▶ CIRCUIT



▶ P.C.B. LAYOUT



▶ REFLOW SOLDERING



▶ MATERIAL

- COVER : SUS
- ACTUATOR : LCP
- BASE : LCP
- TERMINAL : BRASS SILVER PLATING