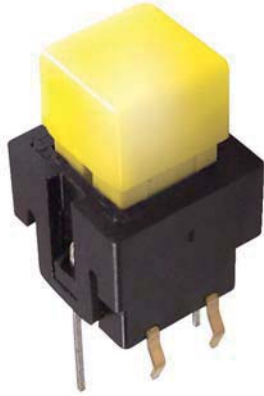




淮洋有限公司 HUI YANG CO., LTD.
 TEL : 886-2-8261-8986 FAX : 886-2-8261-1885
 www.hy1688.com.tw 236新北市土城區中央路二段191號10樓之5



Feature -

- noiseless, conductive rubber
- light click feeling
- full color LED illuminated available
- long electrical life cycles

Application -

- audio / video products
- instrumentation
- communication equipments

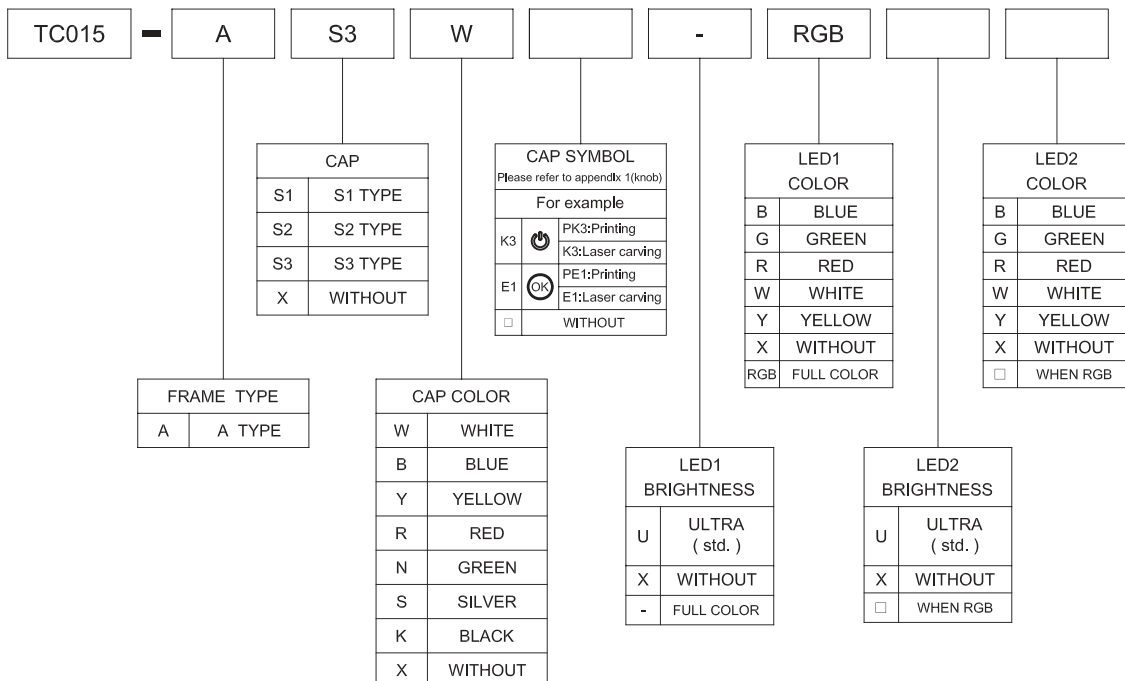
► **SPECIFICATIONS**

SWITCH SPECIFICATIONS	
POLE - POSITION	OFF - <ON> for Momentary Type , SPST
CONTACT RATING	MAX : 1mA , 20VDC or 5mA , 5VDC MIN : 1mA , 5VDC
CONTACT RESISTANCE	200 Ω MAX.
INSULATION RESISTANCE	100 MΩ MIN. 100 V DC
DIELECTRIC STRENGTH	Breakdown is not Allowable ; 250 V AC for 1 Minute
OPERATING FORCE	125 ± 35 gf
OPERATING LIFE	1,000,000 cycles
OPERATING TEMPERATURE RANGE	-20°C ~ 70°C
TOTAL TRAVEL	1.25 ± 0.3 mm

LED SPECIFICATIONS						
ATTENTION LEDs are Electrostatic Sensitive devices	(+) ○ — (−)	Unit	Value / LED Color			
			Blue	Green	Red	Yellow
FORWARD CURRENT	If	mA	20	20	20	20
REVERSE VOLTAGE	Vr	V	5.0	5.0	5.0	5.0
REVERSE CURRENT	Ir	μA	10	10	10	10
FORWARD VOLTAGE@20mA	Vf	V	3.3-4.0	2.1-2.5	2.0-2.5	2.0-2.5
LUMINOUS INTENSITY@20mA	Iv	mcd	1300	700	900	700

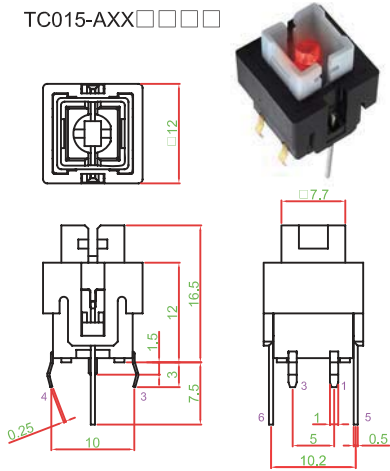
■ Physical and electrical information of LED will be provided upon customer's request on switches .

► **HOW TO ORDER**

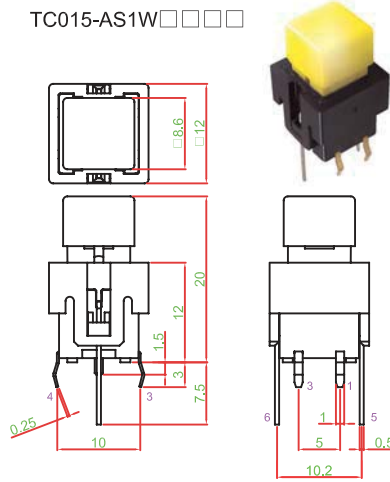


► DIMENSION

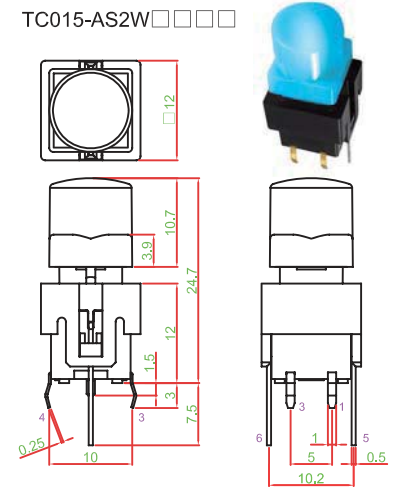
TC015-AXX□□□□



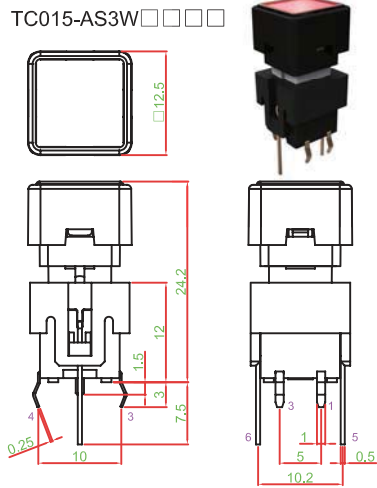
TC015-AS1W□□□□



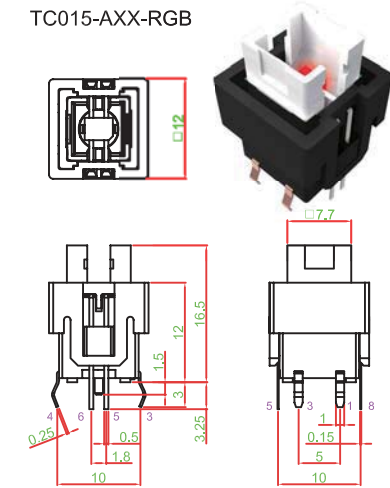
TC015-AS2W□□□□



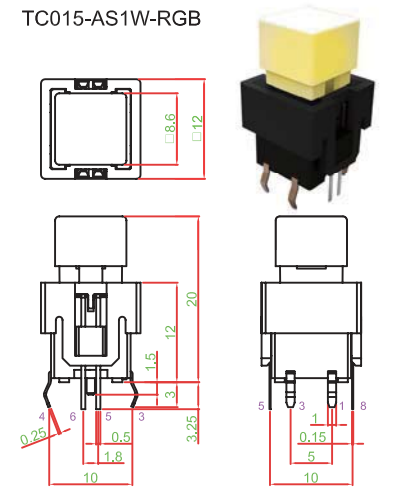
TC015-AS3W□□□□



TC015-AXX-RGB

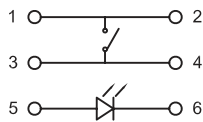


TC015-AS1W-RGB

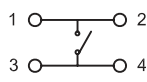


► CIRCUIT

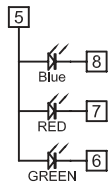
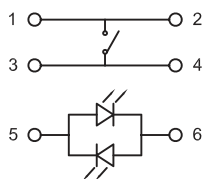
SINGLE COLOR LED :



FULL COLOR LED :

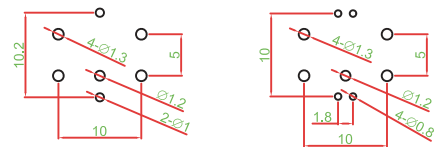


TWO COLOR LED :



► P.C.B LAYOUT

LED : RGB



► MATERIAL

- ACTUATOR : POM
- TERMINAL : BRASS GOLD PLATING
- FRAME : STEEL PLATE
- SPRING : STAINLESS STEEL

