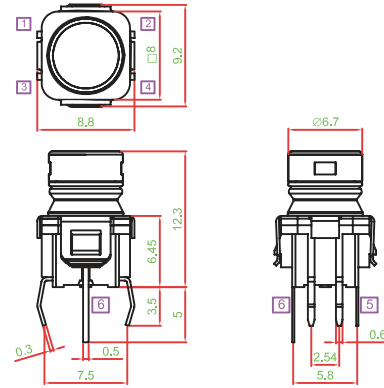


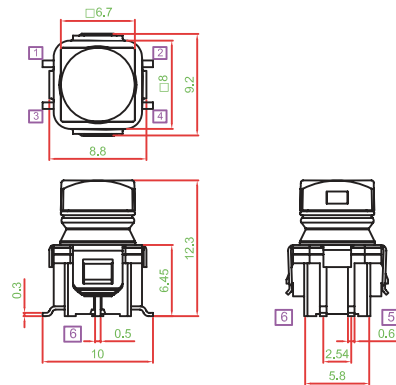


▶ P.C.B LAYOUT

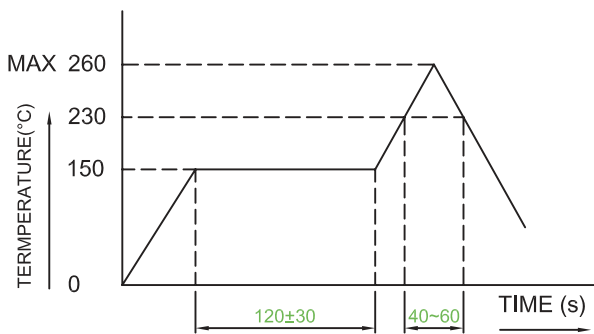
TC014-N11ARWT □□□□



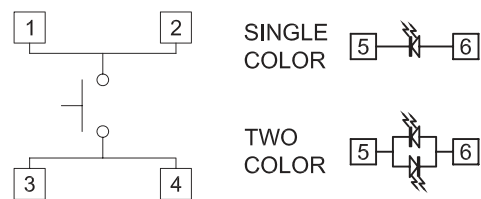
TC014-N11BSWT □□□□



▶ REFLOW SOLDERING



▶ CIRCUIT



▶ MATERIAL

- CAP - PC
- DIFFUSER PLATE - SILICON
- ACTUATOR - PA
- BASE FRAME - PA
- COVER - SUS
- TERMINAL - BRASS SILVER PLATING

▶ P.C.B LAYOUT

