



淮 洋 有 限 公 司 HUI YANG CO., LTD.

TEL : 886-2-8261-8986 FAX : 886-2-8261-1885

www.hy1688.com.tw 236新北市土城區中央路二段191號10樓之5



Feature -

- small size
- bi-color LED illuminated available
- long electrical life cycles

Application -

- consumer products
- computer products
- instrumentation
- communication equipments

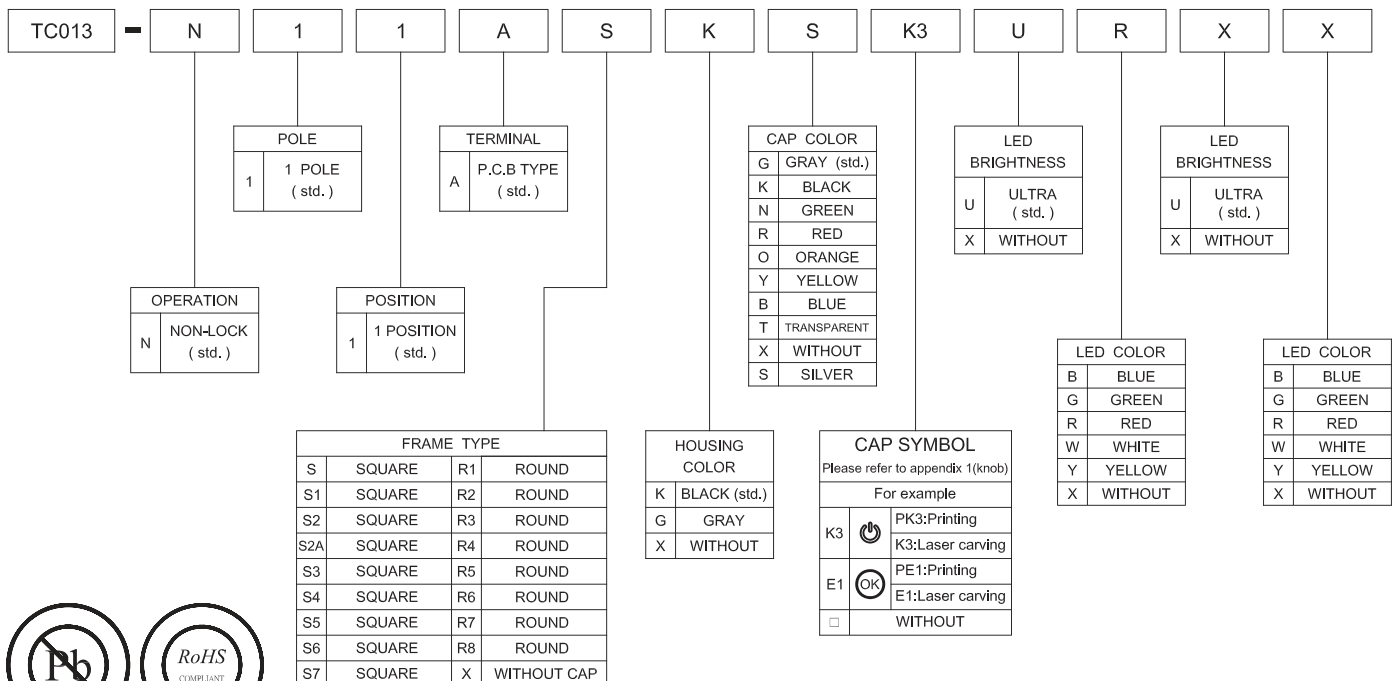
► SPECIFICATIONS

SWITCH SPECIFICATIONS	
POLE - POSITION	1P1T , with LED
CONTACT RATING	12 V DC , 50 mA
CONTACT RESISTANCE	100 mΩ MAX. 1.5 V DC ; 100 mA , by Method of Voltage DROP
INSULATION RESISTANCE	100 MΩ MIN. 500 V DC
DIELECTRIC STRENGTH	Breakdown is not Allowable ; 500 V AC for 1 Minute
OPERATING FORCE	180 ± 50 gf
OPERATING LIFE	500,000 cycles
OPERATING TEMPERATURE RANGE	-20°C ~ 70°C
TOTAL TRAVEL	0.2 ± 0.1 mm

LED SPECIFICATIONS		Unit	Value / LED Color				
ATTENTION LEDs are Electrostatic Sensitive devices	Symbol		Blue	Green	Red	White	Yellow
		FORWARD CURRENT	If	mA	10	20	20
REVERSE VOLTAGE	Vr	V	5.0	5.0	5.0	5.0	5.0
REVERSE CURRENT	Ir	μA	10	10	10	10	10
FORWARD VOLTAGE	Vf	V	@ 10mA 3.0-4.0	2.1-2.5	2.0-2.5	@ 2mA 2.8-4.0	2.0-2.5
LUMINOUS INTENSITY	Iv	mcd	@ 10mA 200	800	1800	@ 2mA 12	1800

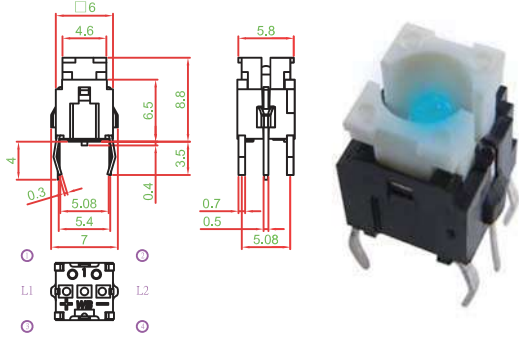
■ Physical and electrical information of LED will be provided upon customer's request on switches .

► HOW TO ORDER

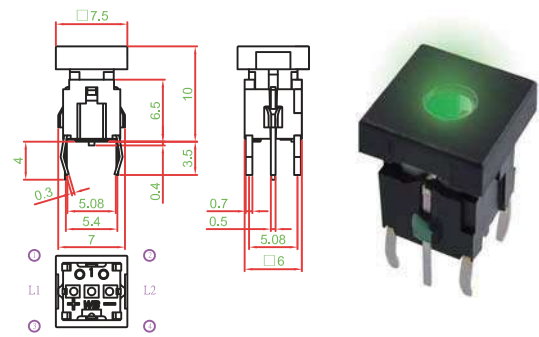


▶ FRAME TYPE OPTION

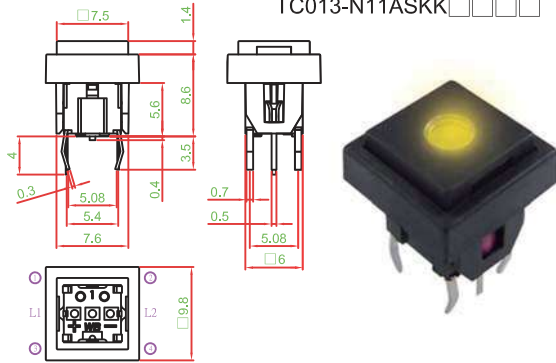
TC013-N11AXXX□□□□



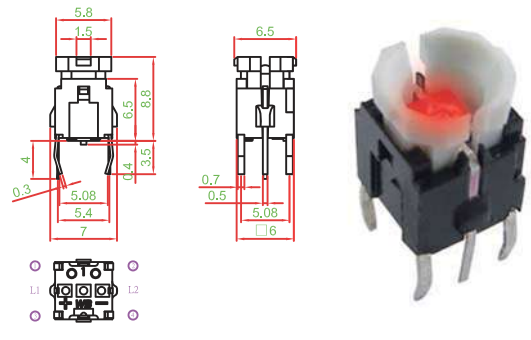
TC013-N11ASXK□□□□



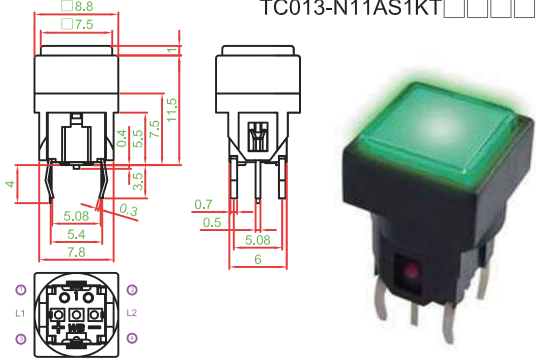
TC013-N11ASKK□□□□



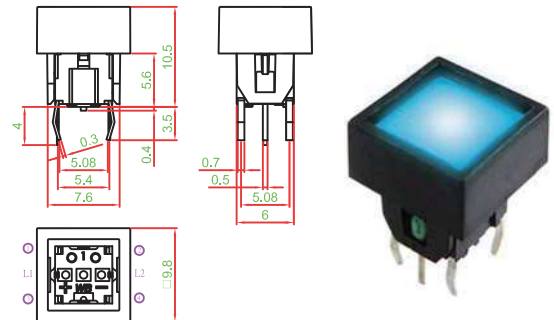
TC013-N11AS1XX□□□□



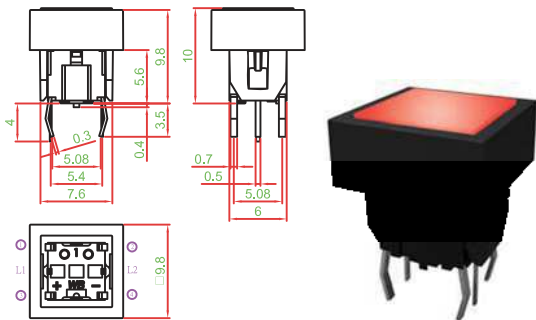
TC013-N11AS1KT□□□□



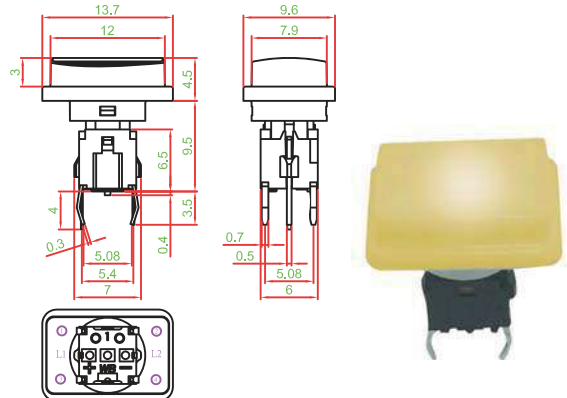
TC013-N11AS2KW□□□□



TC013-N11AS2AKW□□□□

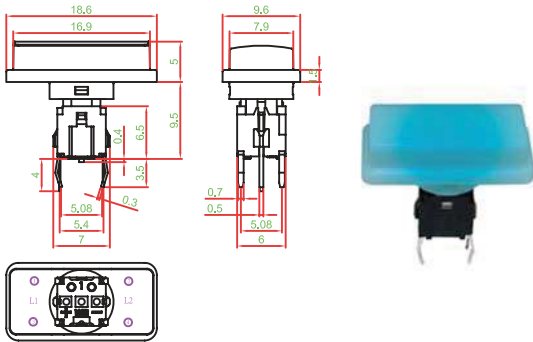


TC013-N11AS3XW□□□□

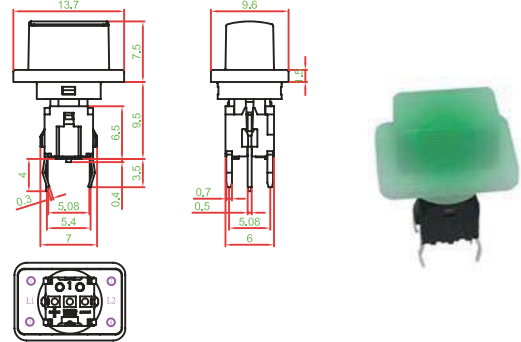


▶ FRAME TYPE OPTION

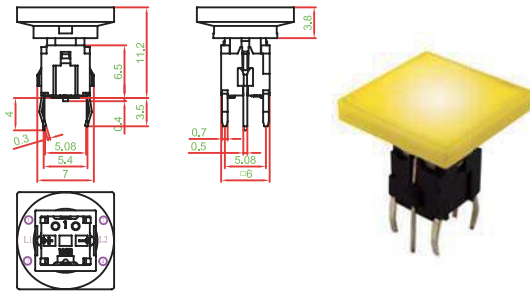
TC013-N11AS4XW□□□□



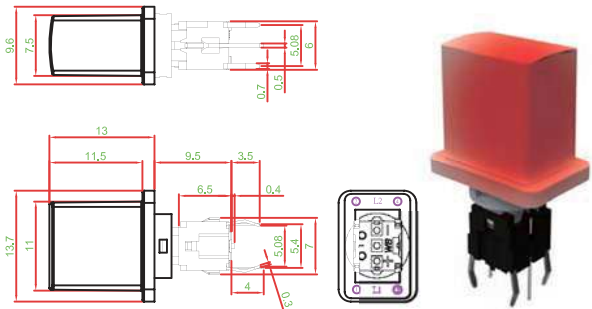
TC013-N11AS5XW□□□□



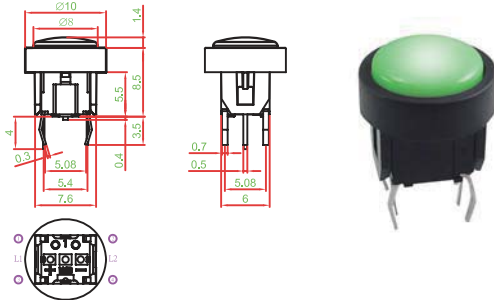
TC013-N11AS6XW□□□□



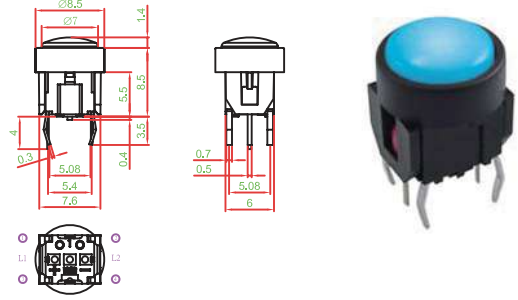
TC013-N11AS7XW□□□□



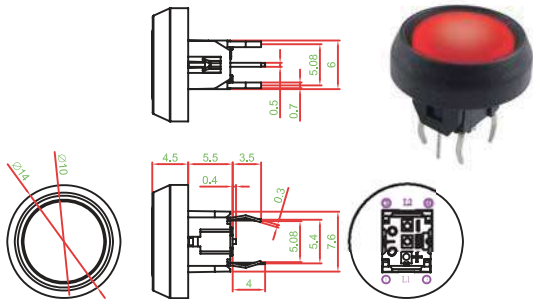
TC013-N11AR1KW□□□□



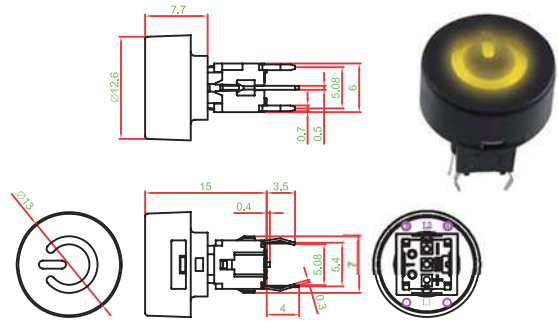
TC013-N11AR2KW□□□□



TC013-N11AR3KW□□□□

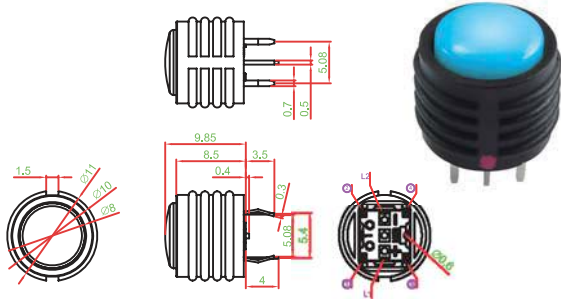


TC013-N11AR4XKK3

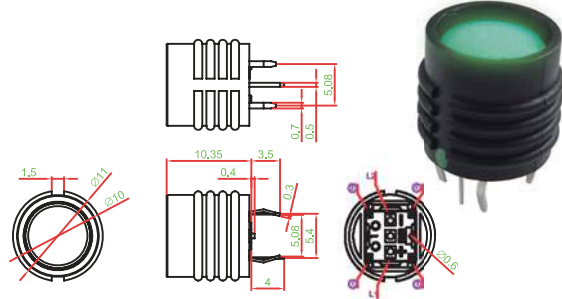


▶ FRAME TYPE OPTION

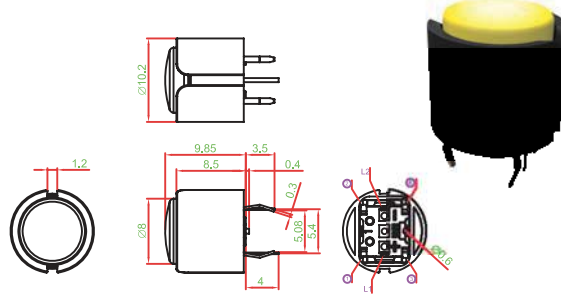
TC013-N11AR5KW□□□□



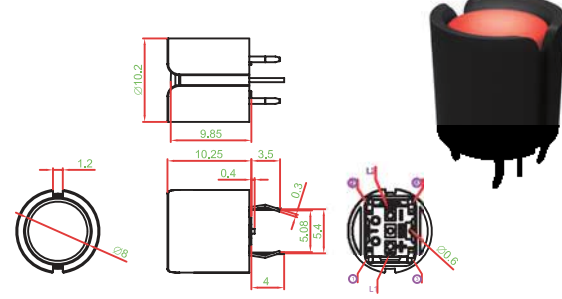
TC013-N11AR6KW□□



TC013-N11AR7KW□□□□
(ODM)

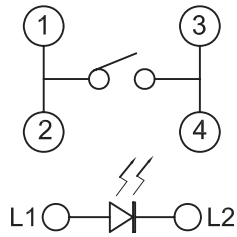


TC013-N11AR8KW□□
(ODM)

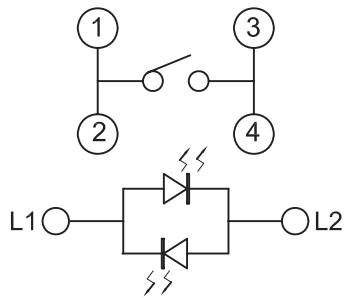


▶ CIRCUIT

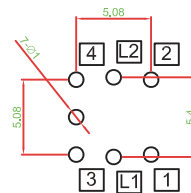
LED :
SINGLE
COLOR



LED :
TWO
COLOR



▶ P.C.B LAYOUT



▶ MATERIAL

- COVER : PA
- ACTUATOR : PA + GF
- BASE FRAME : PA + GF
- TERMINAL : BRASS SILVER PLATING

