



淮洋有限公司 HUI YANG CO., LTD.

TEL : 886-2-8261-8986 FAX : 886-2-8261-1885

www.hy1688.com.tw 236新北市土城區中央路二段191號10樓之5



Feature -

- water proof IP67 sealed
- medium size, full color LED illuminated available
- long electrical life cycles
- SMT and vertical PCB terminal
- symbol film available between the cap and diffuser

Application -

- consumer products
- computer products
- instrumentation
- communication equipments

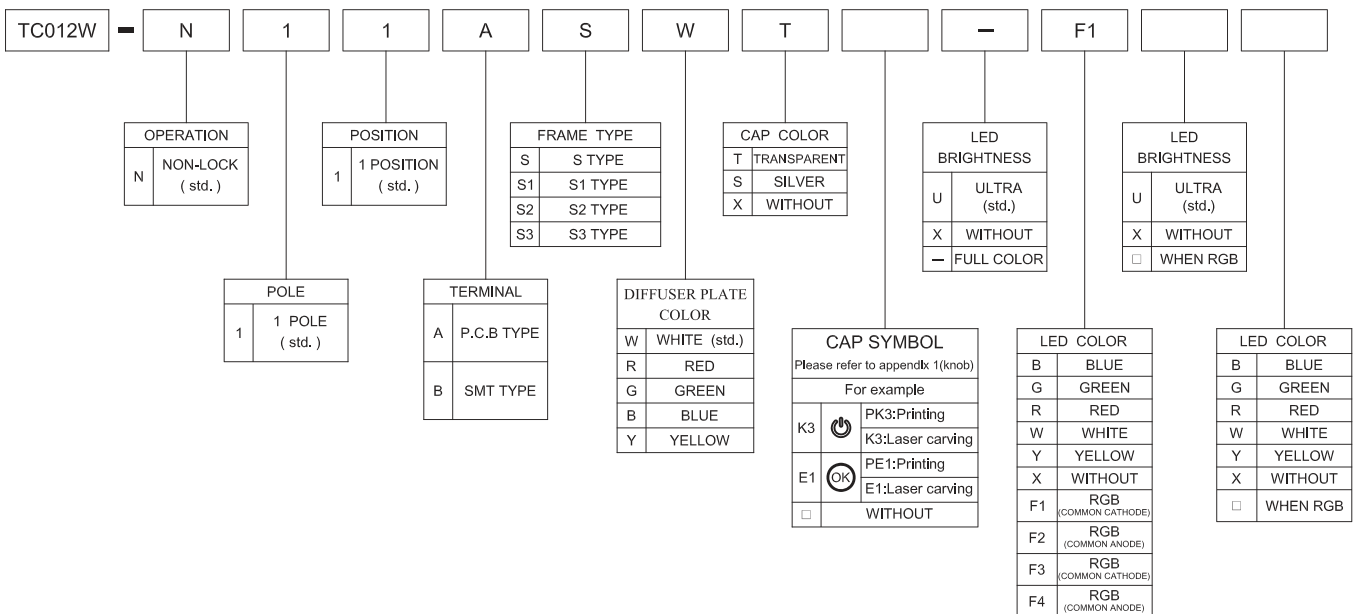
► SPECIFICATIONS

SWITCH SPECIFICATIONS	
POLE - POSITION	1P1T , with LED
CONTACT RATING	12 V DC , 50 mA
CONTACT RESISTANCE	100 mΩ MAX. 1.5 V DC ; 100 mA , by Method of Voltage DROP
INSULATION RESISTANCE	100 MΩ MIN. 500 V DC
DIELECTRIC STRENGTH	Breakdown is not Allowable ; 500 V AC for 1 Minute
OPERATING FORCE	220 ± 50 gf
OPERATING LIFE	100,000 cycles
OPERATING TEMPERATURE RANGE	-20°C ~ 70°C
TOTAL TRAVEL	0.3 ± 0.1 mm
SEALING	IP67

LED SPECIFICATIONS		Value / LED Color				
ATTENTION	Unit	Blue	Green	Red	White	Yellow
		FORWARD CURRENT	10	20	20	2
REVERSE VOLTAGE	5.0	5.0	5.0	5.0	5.0	
REVERSE CURRENT	10	10	10	10	10	
FORWARD VOLTAGE	2.1-2.5	2.0-2.5	@ 2mA 2.8-4.0	2.0-2.5		
LUMINOUS INTENSITY	800	1800	@ 2mA 12	1800		

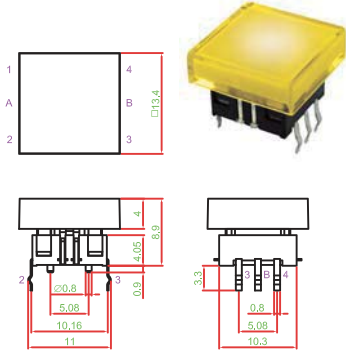
■ Physical and electrical information of LED will be provided upon customer's request on switches .

► HOW TO ORDER

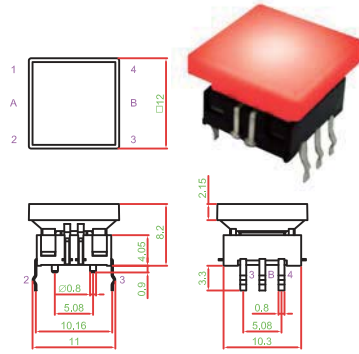


## ▶ DIMENSION

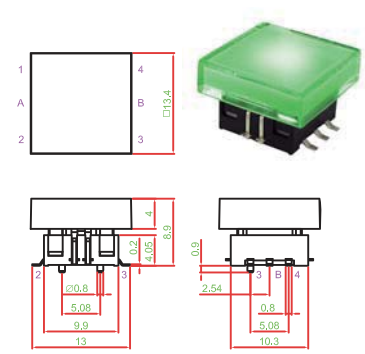
TC012W-N11ASWT-□□□□



TC012W-N11ASWX-□□□□

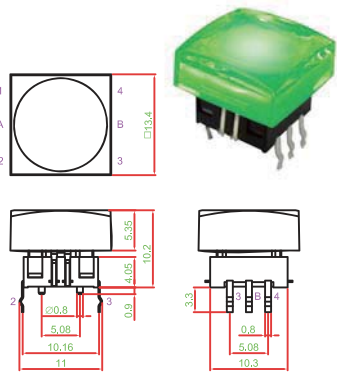


TC012W-N11BSWT-□□□□

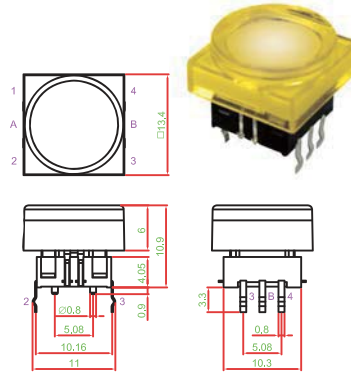


## ▶ FRAME TYPE OPTION

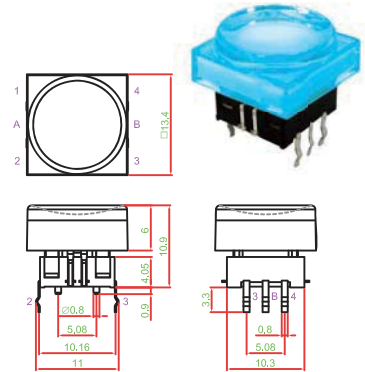
S1 TYPE



S2 TYPE

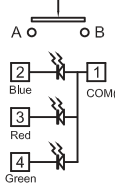


S3 TYPE

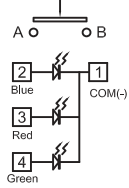


## ▶ CIRCUIT & LED TYPE

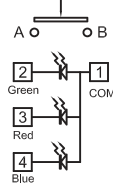
F1 TYPE



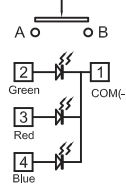
F2 TYPE



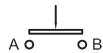
F3 TYPE



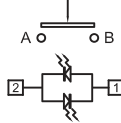
F4 TYPE



SINGLE COLOR

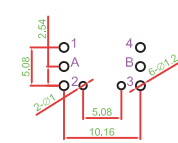


TWO COLOR

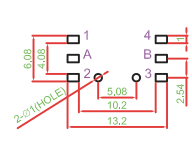


## ▶ P.C.B LAYOUT

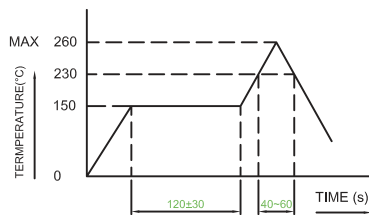
P.C.B TYPE



SMT TYPE



## ▶ REFLOW SOLDERING



## ▶ MATERIAL

- ACTUATOR : PA+GF
- TERMINAL : BRASS SILVER PLATING
- BASE FRAME : PA+GF
- COVER : PC

