



淮洋有限公司 HUI YANG CO., LTD.

TEL : 886-2-8261-8986 FAX : 886-2-8261-1885

www.hy1688.com.tw 236新北市土城區中央路二段191號10樓之5



Feature -

- medium size, bi-color LED illuminated available
- long electrical life cycles
- SMT and vertical PCB terminal
- symbol film available between the cap and diffuser

Application -

- consumer products
- computer products
- instrumentation
- communication equipments

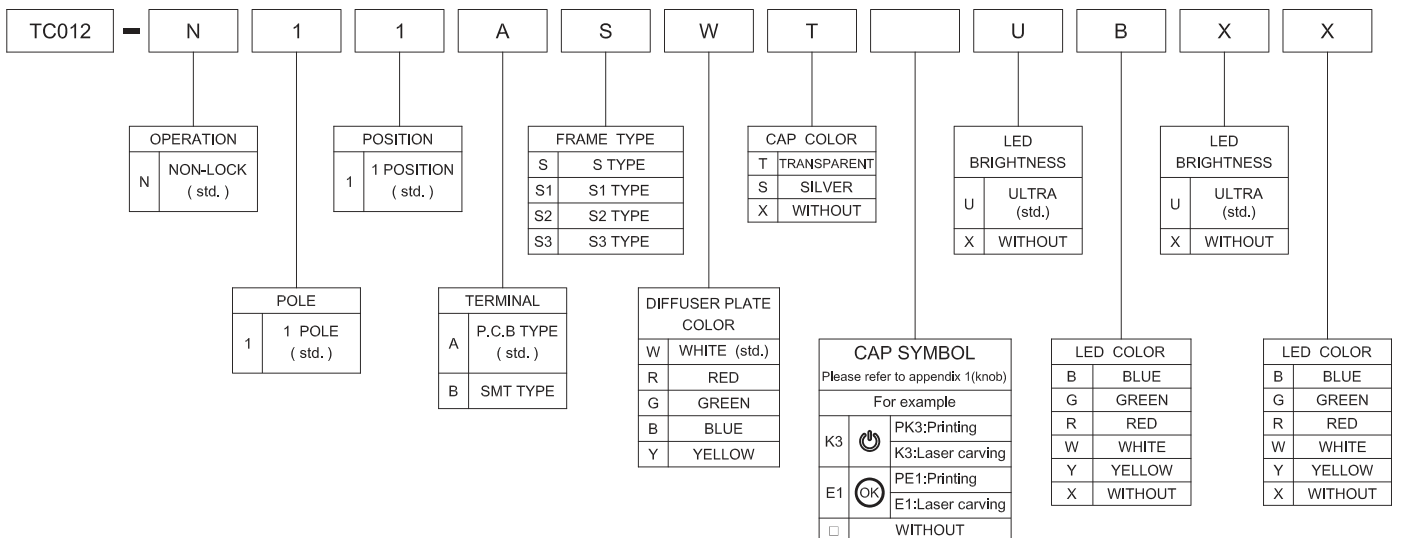
► SPECIFICATIONS

SWITCH SPECIFICATIONS	
POLE - POSITION	1P1T , with LED
CONTACT RATING	12 V DC , 50 mA
CONTACT RESISTANCE	100 mΩ MAX. 1.5 V DC ; 100 mA , by Method of Voltage DROP
INSULATION RESISTANCE	100 MΩ MIN. 500 V DC
DIELECTRIC STRENGTH	Breakdown is not Allowable ; 500 V AC for 1 Minute
OPERATING FORCE	250 ± 50 gf
OPERATING LIFE	100,000 cycles
OPERATING TEMPERATURE RANGE	-20°C ~ 70°C
TOTAL TRAVEL	0.35 ± 0.1 mm

LED SPECIFICATIONS		Unit	Value / LED Color				
			Blue	Green	Red	White	Yellow
ATTENTION	LEDs are Electrostatic Sensitive devices						
FORWARD CURRENT	I _f	mA	10	20	20	2	20
REVERSE VOLTAGE	V _r	V	5.0	5.0	5.0	5.0	5.0
REVERSE CURRENT	I _r	μA	10	10	10	10	10
FORWARD VOLTAGE	V _f	V	@ 10mA 3.0-4.0	2.1-2.5	2.0-2.5	@ 2mA 2.8-4.0	2.0-2.5
LUMINOUS INTENSITY	I _v	mcd	@ 10mA 200	800	1800	@ 2mA 12	1800

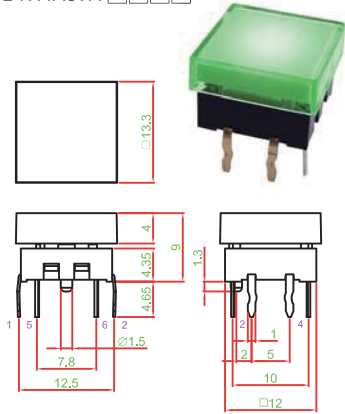
■ Physical and electrical information of LED will be provided upon customer's request on switches.

► HOW TO ORDER

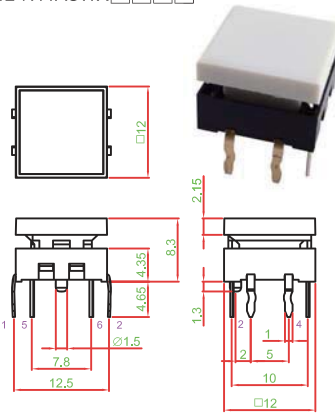


▶ DIMENSION

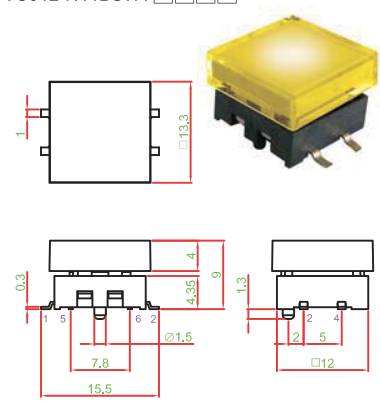
TC012-N11ASWT □□□□



TC012-N11ASWX □□□□

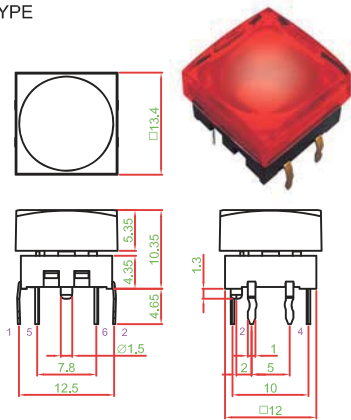


TC012-N11BSWT □□□□

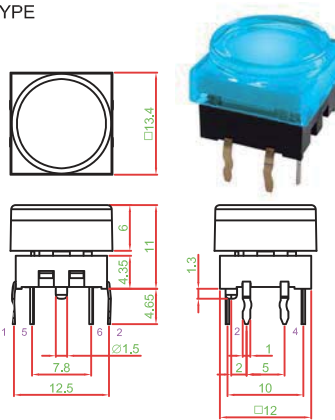


▶ FRAME TYPE OPTION

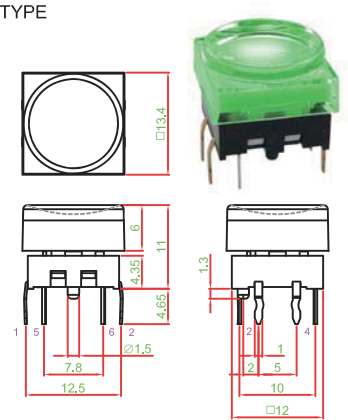
S1 TYPE



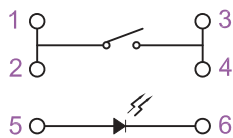
S2 TYPE



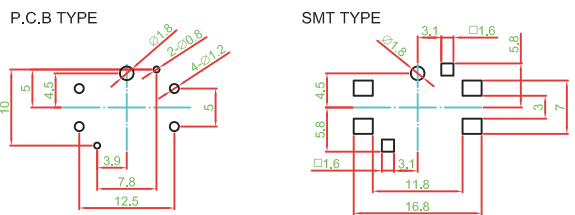
S3 TYPE



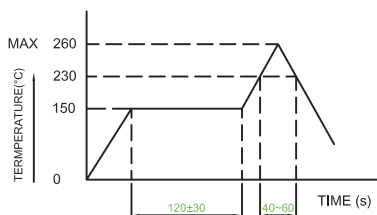
▶ CIRCUIT



▶ P.C.B LAYOUT



▶ REFLOW SOLDERING



▶ MATERIAL

- ACTUATOR : PA+GF
- TERMINAL : BRASS GOLD FLASH
- BASE FRAME : PA+GF
- COVER : PC

