



淮 洋 有 限 公 司 HUI YANG CO.,LTD.  
 TEL : 886-2-8261-8986 FAX : 886-2-8261-1885  
 www.hy1688.com.tw 236新北市土城區中央路二段191號10樓之5



Feature -



- full color LED illuminated available
- long electrical life cycles
- good tactile feeling

Application -

- audio / video products
- instrumentation
- communication equipments

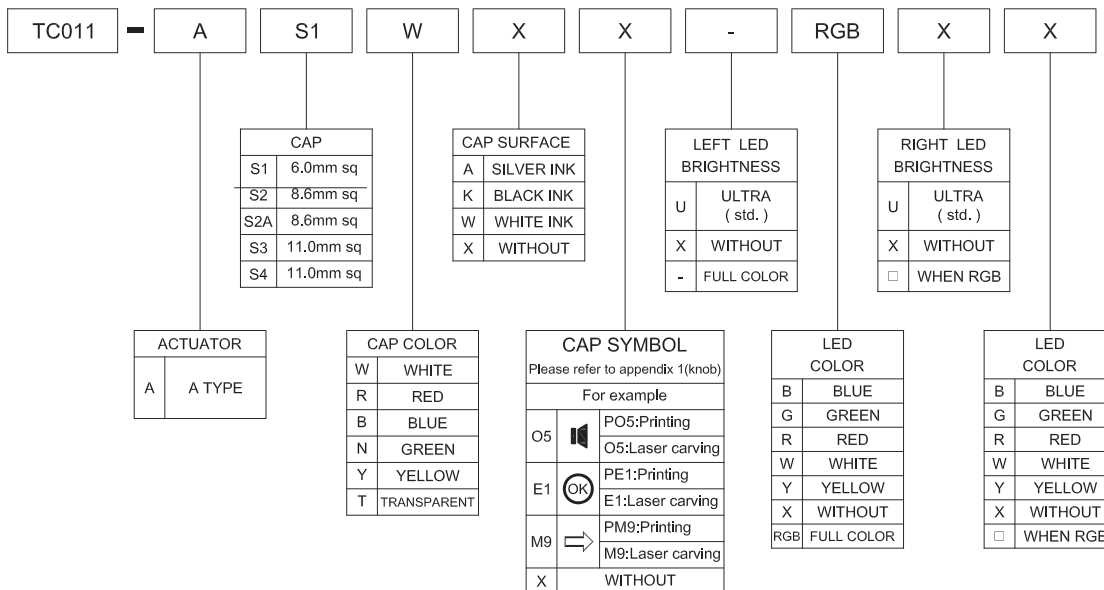
► SPECIFICATIONS

SWITCH SPECIFICATIONS	
POLE - POSITION	Momentary Type , SPST with LED
CONTACT RATING	MAX. : 1mA , 20VDC or 5mA , 5VDC MIN. : 1mA , 5VDC
CONTACT RESISTANCE	200 Ω max. 5 V DC ; 1 mA , by Method of Voltage DROP
INSULATION RESISTANCE	100 MΩ min . 100 V DC for 1 minute
DIELECTRIC STRENGTH	Breakdown is not Allowable ; 250 V AC for 1 Minute
OPERATING FORCE	125±35 gf
OPERATING LIFE	300,000 cycles
OPERATING TEMPERATURE RANGE	-20°C ~ 70°C
TOTAL TRAVEL	1.3±0.3mm

LED SPECIFICATIONS						
 ATTENTION LEDs are Electrostatic Sensitive devices	 (+) ○ — (○) — (○) (-)	Unit	Value / LED Color			
			Blue	Green	Red	Yellow
FORWARD CURRENT	If	mA	20	20	20	20
REVERSE VOLTAGE	Vr	V	5.0	5.0	5.0	5.0
REVERSE CURRENT	Ir	μA	10	10	10	10
FORWARD VOLTAGE@20mA	Vf	V	3.3-4.0	2.1-2.5	2.0-2.5	2.0-2.5
LUMINOUS INTENSITY@20mA	Iv	mod	1300	700	900	700

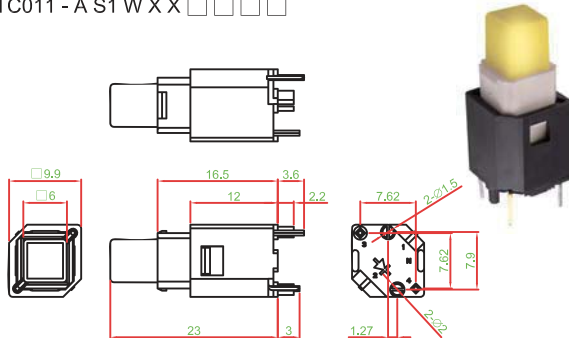
Physical and electrical information of LED will be provided upon customer's request on switches .

► HOW TO ORDER

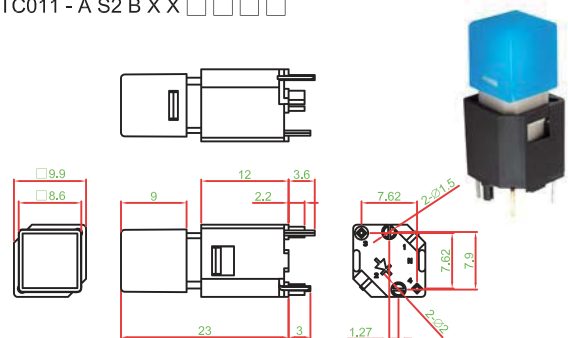


## ▶ FRAME TYPE OPTION

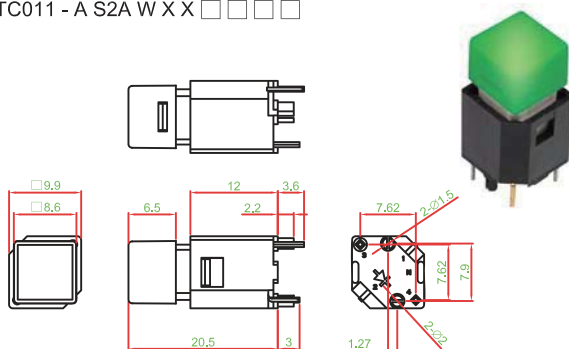
TC011 - A S1 W X X □ □ □ □



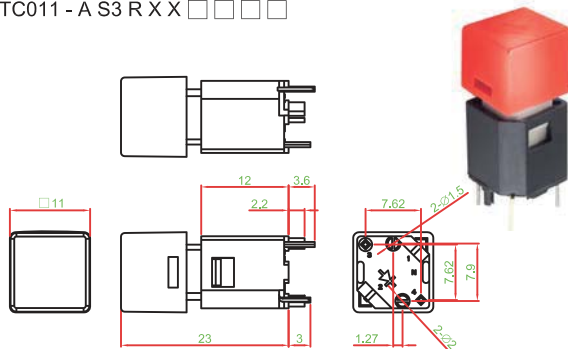
TC011 - A S2 B X X □ □ □ □



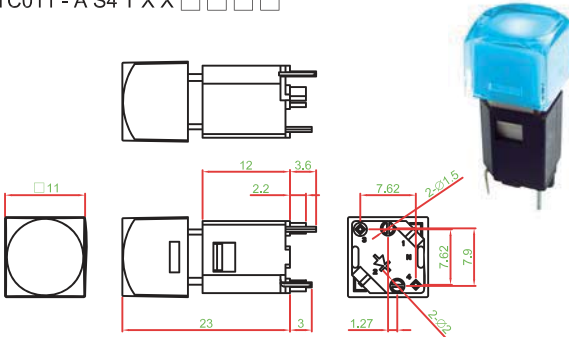
TC011 - A S2A W X X □ □ □ □



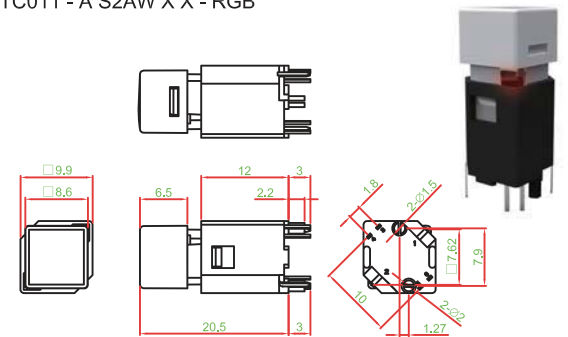
TC011 - A S3 R X X □ □ □ □



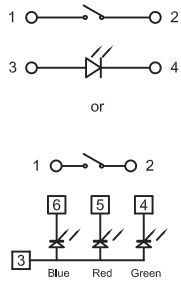
TC011 - A S4 T X X □ □ □ □



TC011 - A S2AW X X - RGB

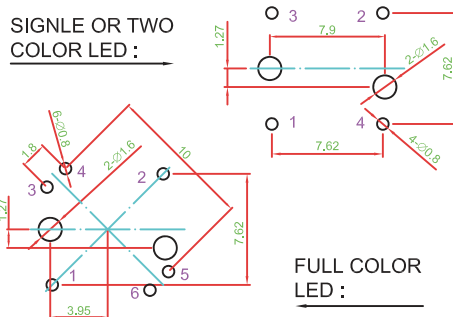


## ▶ CIRCUIT



## ▶ P.C.B LAYOUT

SINGLE OR TWO COLOR LED :



FULL COLOR LED :

## ▶ MATERIAL

- CAP : PC
- ACTUATOR : PA + GF
- BASE FRAME : PA + GF
- TERMINAL : BRASS GOLD PLATING

