



淮 洋 有 限 公 司 HUI YANG CO.,LTD.

TEL : 886-2-8261-8986 FAX : 886-2-8261-1885

www.hy1688.com.tw 236新北市土城區中央路二段191號10樓之5



Feature -

Medium size
Click function

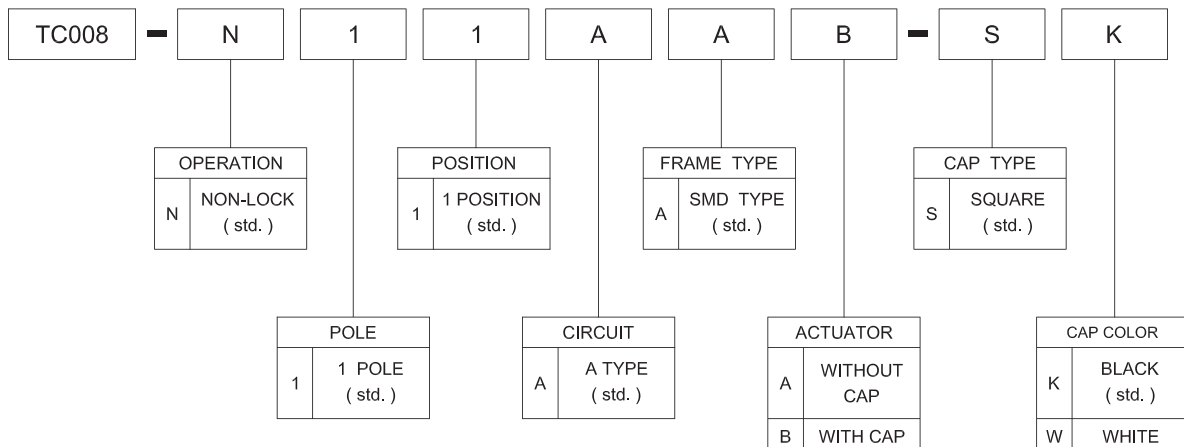
Application -

Consumer products
Computer products
Instrumentation
Communication equipment

► SPECIFICATIONS

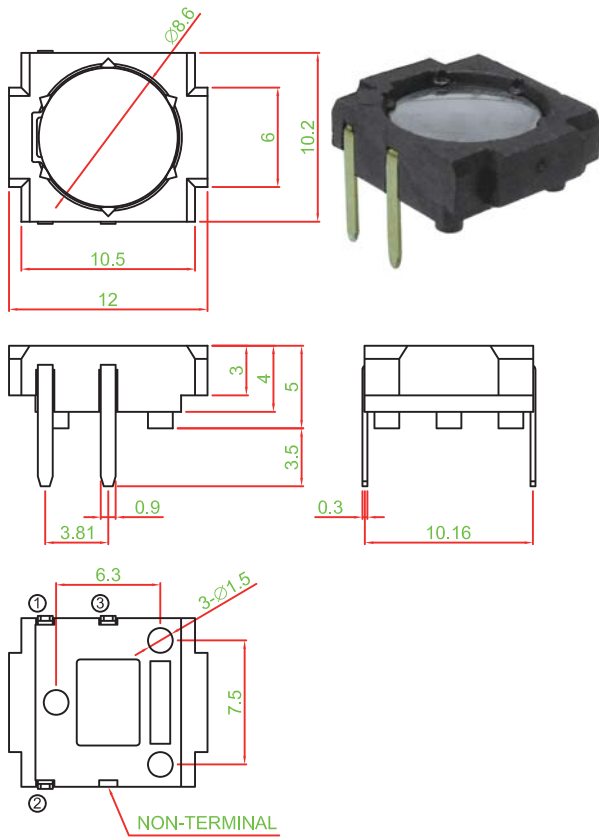
SWITCH SPECIFICATIONS	
POLE - POSITION	Momentary action , SPST
CONTACT RATING	VOLTAGE RANGE : 3V ~14V DC. CURRENT RANGE : 1mA ~ 10 mA (DC)
CONTACT RESISTANCE	100 mΩ MAX. 1.5 V DC ; 0.1 A , by Method of Voltage DROP
INSULATION RESISTANCE	100 MΩ MIN. 500 V DC for 1 minute
DIELECTRIC STRENGTH	Breakdown is not Allowable ; 500 V AC for 1 Minute
OPERATING FORCE	230 ± 50 gf
OPERATING LIFE	100,000 cycles
OPERATING TEMPERATURE RANGE	-20°C ~ 70°C
TOTAL TRAVEL	0.4 ± 0.05 mm

► HOW TO ORDER

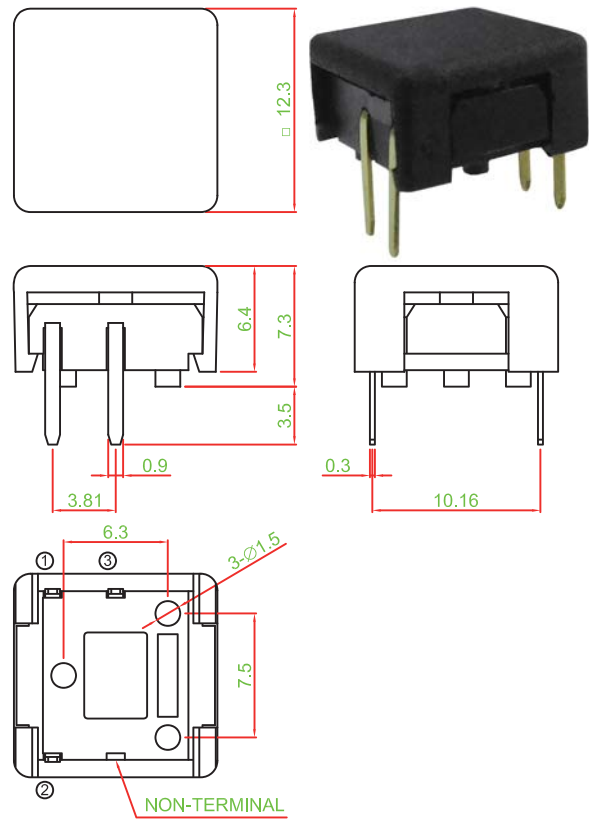


▶ DIMENSION

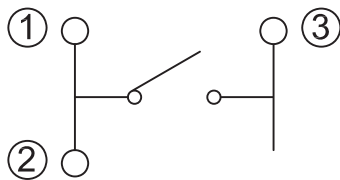
TC008-N11AAA



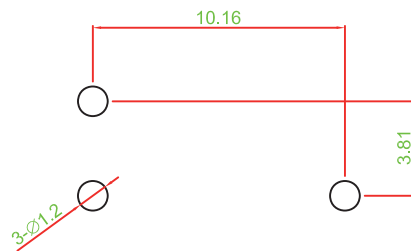
TC008-N11AAB-SK



▶ CIRCUIT



▶ P.C.B LAYOUT



▶ MATERIAL

■ KNOB : PA+GF

■ SPRING PLATE : STAINLESS STEEL

■ TERMINAL : BRASS GOLD PLATING

■ BASE FRAME : PA+GF