



淮洋有限公司 HUI YANG CO.,LTD.

TEL : 886-2-8261-8986 FAX : 886-2-8261-1885

www.hy1688.com.tw 236新北市土城區中央路二段191號10樓之5



Feature -

SPST  
mini in dimension  
2.9x3.9x2.5mm,

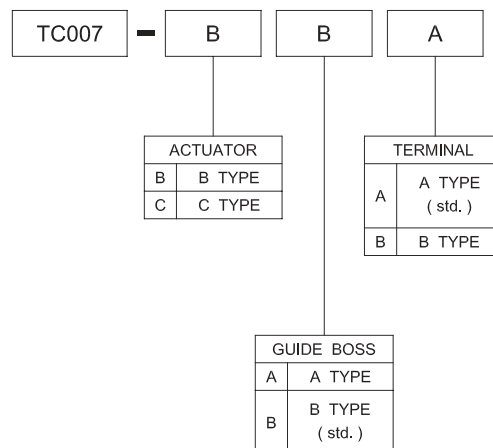
Application -


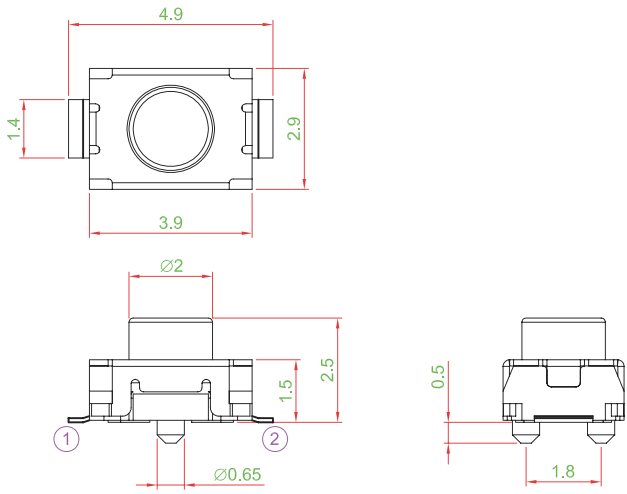
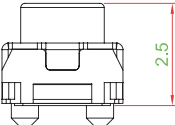
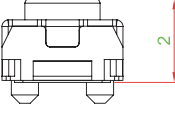
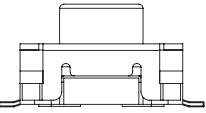
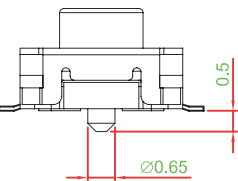
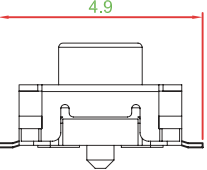
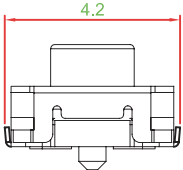
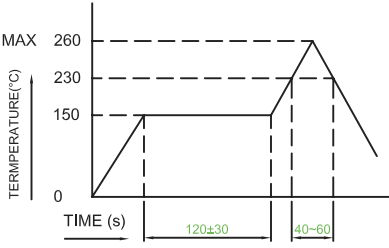
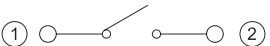
consumer products  
computer products  
instrumentation  
communication equipments

► SPECIFICATIONS

SWITCH SPECIFICATIONS	
POLE - POSITION	Momentary action , SPST
CONTACT RATING	12 V DC , 50 mA
CONTACT RESISTANCE	100 mΩ MAX. 5 V DC ; 1 A , by Method of Voltage DROP
INSULATION RESISTANCE	100 MΩ MIN. 100 V DC for 1 minute
DIELECTRIC STRENGTH	Breakdown is not Allowable ; 100 V AC for 1 Minute
OPERATING FORCE	160 ± 50 gf
OPERATING LIFE	100,000 cycles
OPERATING TEMPERATURE RANGE	-20°C ~ 70°C
TOTAL TRAVEL	0.15 ± 0.10 mm

► HOW TO ORDER



▶ DIMENSION		
TC007 - BBA		
		
▶ ACTUATOR	▶ GUIDE BOSS	▶ TERMINAL
<p>B : </p> <p>C : </p>	<p>A : </p> <p>B : </p>	<p>A : </p> <p>B : </p>
▶ REFLOW SOLDERING	▶ CIRCUIT	▶ MATERIAL
		<ul style="list-style-type: none"> <li>■ FRAME : LCP + GF</li> <li>■ ACTUATOR : PA6T + GF</li> <li>■ COVER : STAINLESS STEEL</li> <li>■ SPRING PLATE : STAINLESS STEEL</li> <li>■ TERMINAL : PHOSPHOR BRONZE SILVER PLATING</li> </ul>
	▶ P.C.B LAYOUT	
	