



淮洋有限公司 HUI YANG CO., LTD.

TEL : 886-2-8261-8986 FAX : 886-2-8261-1885

www.hy1688.com.tw 236新北市土城區中央路二段191號10樓之5



Feature -

- DPST
- two buttons in line
- vertical PCB mount
- LED illuminated available

Applications -

- office equipments
- measuring instruments
- audio, TV, VCRs
- many types of electronic equipments

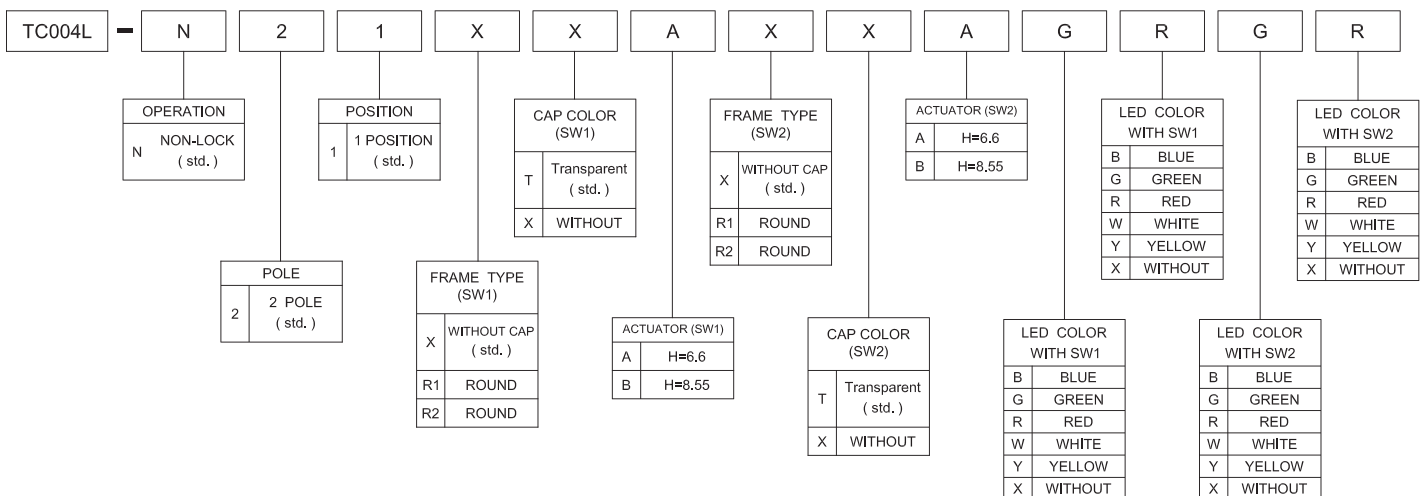
► SPECIFICATIONS

SWITCH SPECIFICATIONS	
POLE - POSITION	DPST
CONTACT RATING	12 V DC , 50 mA
CONTACT RESISTANCE	100 mΩ MAX. 5 V DC ; 1 A , by Method of Voltage DROP
INSULATION RESISTANCE	100 MΩ MIN. 100 V DC for 1 minute
DIELECTRIC STRENGTH	Breakdown is not Allowable ; 100 V AC for 1 Minute
OPERATING FORCE	160 ± 50 gf
OPERATING LIFE	500,000 cycles
OPERATING TEMPERATURE RANGE	-20°C ~ 70°C
TOTAL TRAVEL	0.25 ± 0.10 mm

LED SPECIFICATIONS		Value / LED Color				
ATTENTION LEDs are Electrostatic Sensitive devices	Unit	Blue	Green	Red	Yellow	
		FORWARD CURRENT	If	20	20	20
REVERSE VOLTAGE	Vr	V	5.0	5.0	5.0	5.0
REVERSE CURRENT	Ir	μA	10	10	10	10
FORWARD VOLTAGE@20mA	Vf	V	3.3-4.0	2.1-2.5	2.0-2.5	2.0-2.5
LUMINOUS INTENSITY@20mA	Iv	mcd	1300	700	900	700

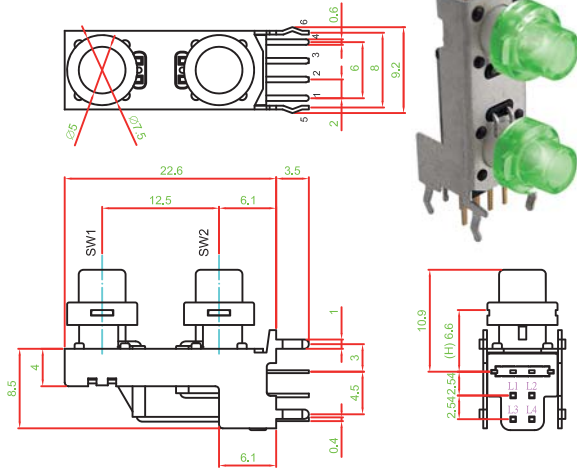
Physical and electrical information of LED will be provided upon customer's request on switches .

► HOW TO ORDER

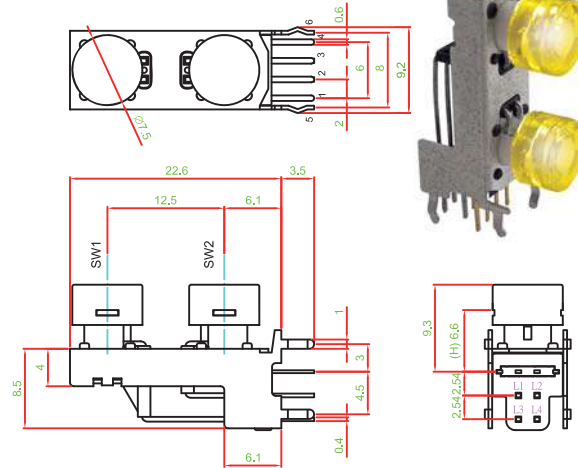


▶ FRAME TYPE OPTION

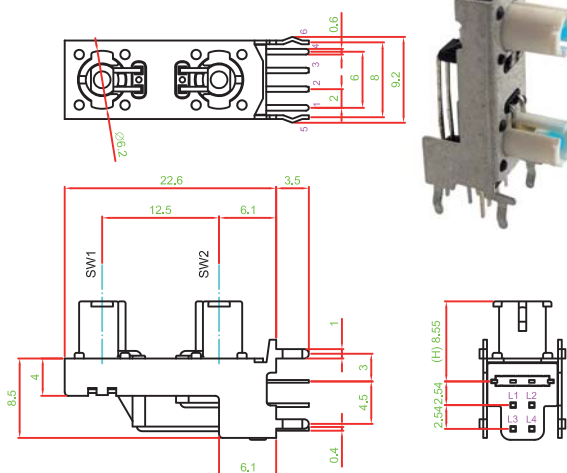
TC004L-N21R1TAR1TA□□□□



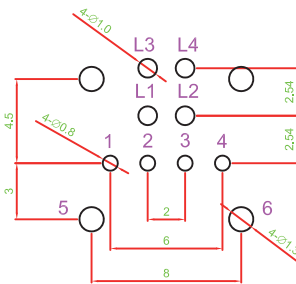
TC004L-N21R2TAR2TA□□□□



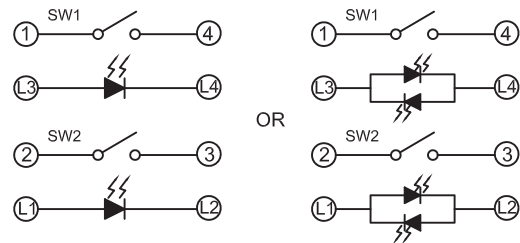
TC004L-N21XXBXXB□□□□



▶ P.C.B LAYOUT



▶ CIRCUIT



▶ MATERIAL

- ACTUATOR : PA66
- TERMINAL : BRASS SILVER PLATING
- FRAME : STEEL PLATE
- SPRING PLATE : STAINLESS STEEL
- BASE FRAME : PA66