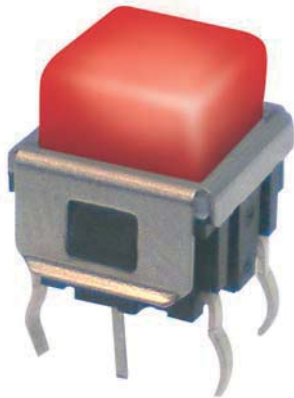




淮洋有限公司 HUI YANG CO.,LTD.
 TEL : 886-2-8261-8986 FAX : 886-2-8261-1885
 www.hy1688.com.tw 236新北市土城區中央路二段191號10樓之5



Feature -

- water proof IP67 sealed
- full color LED illuminated available
- long electrical life cycles
- SMT and vertical PCB terminal

Application -

- consumer products
- computer products
- instrumentation
- communication equipments

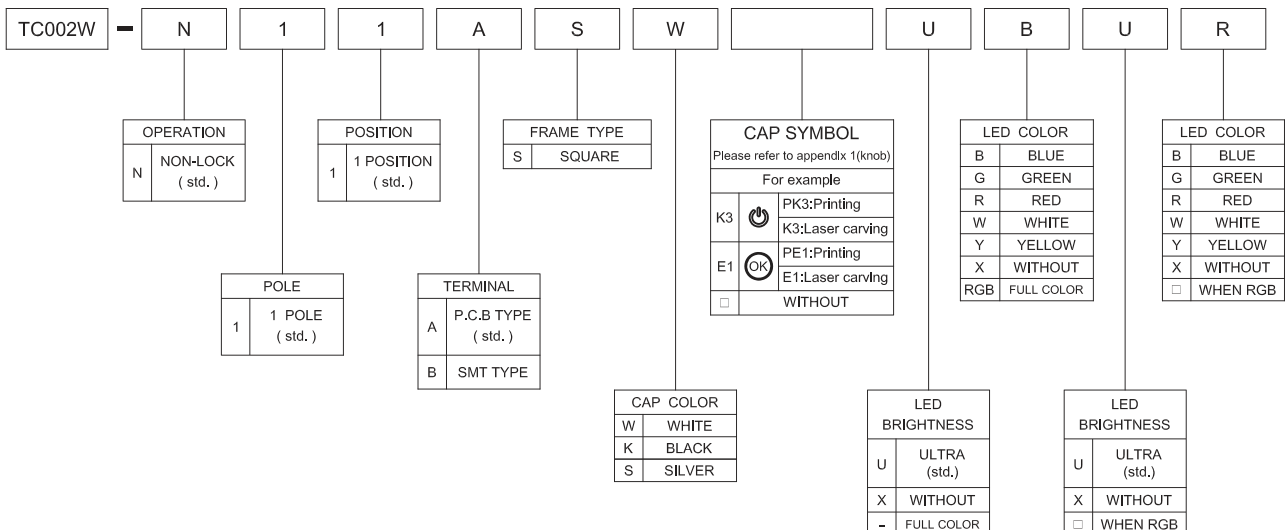
► **SPECIFICATIONS**

| SWITCH SPECIFICATIONS | |
|-----------------------------|--|
| POLE - POSITION | 1P1T , with LED |
| CONTACT RATING | 12 V DC , 50 mA |
| CONTACT RESISTANCE | 100 mΩ MAX. 1.5 V DC ; 100 mA , by Method of Voltage DROP |
| INSULATION RESISTANCE | 100 MΩ MIN. 500 V DC |
| DIELECTRIC STRENGTH | Breakdown is not Allowable ; 500 V AC for 1 Minute |
| OPERATING FORCE | 300 ± 100 gf |
| OPERATING LIFE | 500,000 cycles |
| OPERATING TEMPERATURE RANGE | -20°C ~ 70°C |
| TOTAL TRAVEL | 0.2 ± 0.1 mm |
| SEALING | IP67 |

| LED SPECIFICATIONS | | Value / LED Color | | | | |
|---|------|--------------------|---------|---------|------------------|---------|
| ATTENTION LEDs are Electrostatic Sensitive devices | Unit | Blue | Green | Red | White | Yellow |
| | | FORWARD CURRENT If | mA | 10 | 20 | 20 |
| REVERSE VOLTAGE Vr | V | 5.0 | 5.0 | 5.0 | 5.0 | 5.0 |
| REVERSE CURRENT Ir | µA | 10 | 10 | 10 | 10 | 10 |
| FORWARD VOLTAGE Vf | V | @ 10mA 3.0-4.0 | 2.1-2.5 | 2.0-2.5 | @ 2mA 2.8-4.0 | 2.0-2.5 |
| LUMINOUS INTENSITY Iv | mcd | @ 10mA 200 | 800 | 1800 | @ 2mA 12 | 1800 |

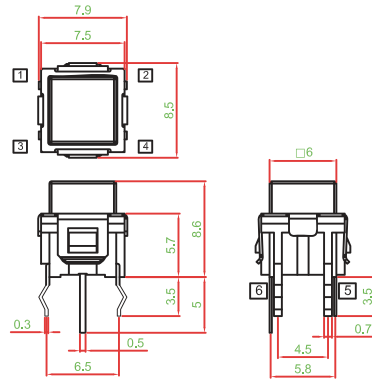
■ Physical and electrical information of LED will be provided upon customer's request on switches .

► **HOW TO ORDER**

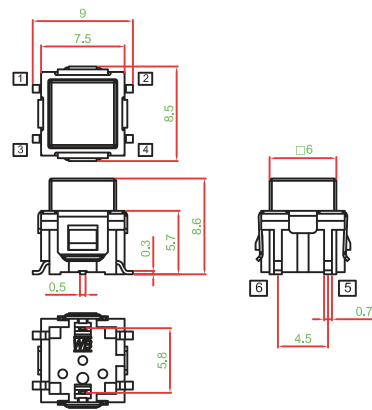


▶ P.C.B LAYOUT

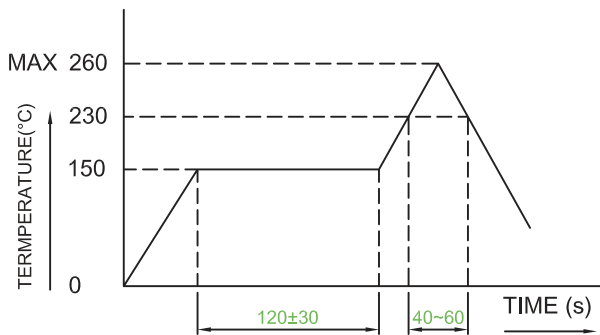
TC002W-N11ASW □□□□



TC002W-N11BSW □□□□

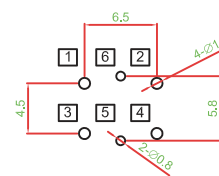


▶ REFLOW SOLDERING

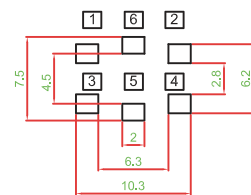


▶ P.C.B LAYOUT

DIP TYPE



SMT TYPE



▶ MATERIAL

- COVER - SILICON
- ACTUATOR - PA
- BASE FRAME - PA
- COVER - SUS
- TERMINAL - BRASS SILVER PLATING

▶ CIRCUIT

