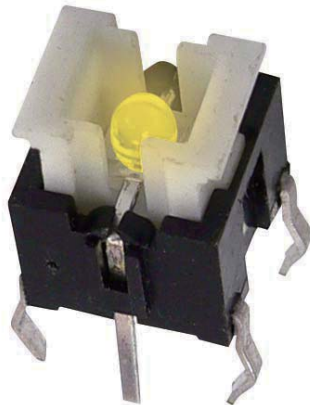




淮洋有限公司 HUI YANG CO., LTD.

TEL : 886-2-8261-0858 FAX : 886-2-8261-8855

www.hy1688.com.tw 236新北市土城區中央路二段191號10樓之5



Feature -

- small size
- full color LED illuminated available
- long electrical life cycles
- SMT and vertical PCB terminal

Applications -

- consumer products
- computer products
- instrumentation
- communication equipments

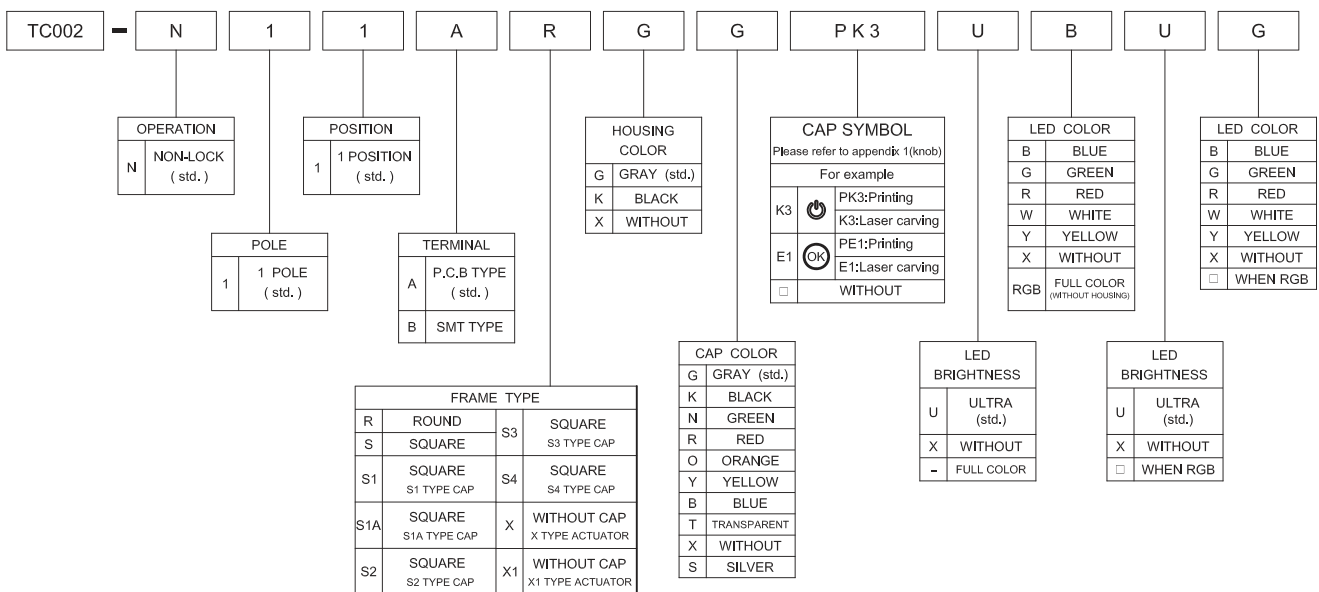
► SPECIFICATIONS

SWITCH SPECIFICATIONS	
POLE - POSITION	1P1T , with LED
CONTACT RATING	12 V DC , 50 mA
CONTACT RESISTANCE	100 mΩ MAX. 1.5 V DC ; 100 mA , by Method of Voltage DROP
INSULATION RESISTANCE	100 MΩ MIN. 500 V DC
DIELECTRIC STRENGTH	Breakdown is not Allowable ; 500 V AC for 1 Minute
OPERATING FORCE	180 ± 50 gf
OPERATING LIFE	500,000 cycles
OPERATING TEMPERATURE RANGE	-20°C ~ 70°C
TOTAL TRAVEL	0,2 ± 0,1 mm

LED SPECIFICATIONS		Value / LED Color					
	Unit	Value / LED Color					
		Blue	Green	Red	White	Yellow	
ATTENTION LEDs are Electrostatic Sensitive devices							
FORWARD CURRENT	If	mA	10	20	20	2	20
REVERSE VOLTAGE	Vr	V	5.0	5.0	5.0	5.0	5.0
REVERSE CURRENT	Ir	µA	10	10	10	10	10
FORWARD VOLTAGE	Vf	V	@ 10mA 3.0-4.0	2.1-2.5	2.0-2.5	@ 2mA 2.8-4.0	2.0-2.5
LUMINOUS INTENSITY	Iv	mcd	@ 10mA 200	800	1800	@ 2mA 12	1800

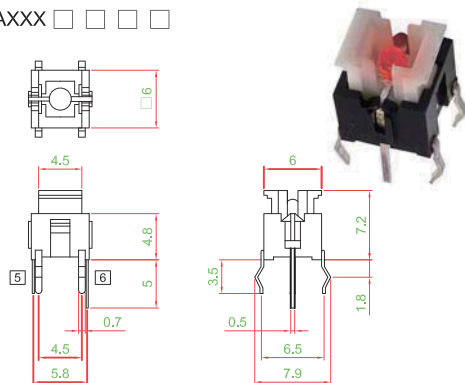
■ Physical and electrical information of LED will be provided upon customer's request on switches.

► HOW TO ORDER

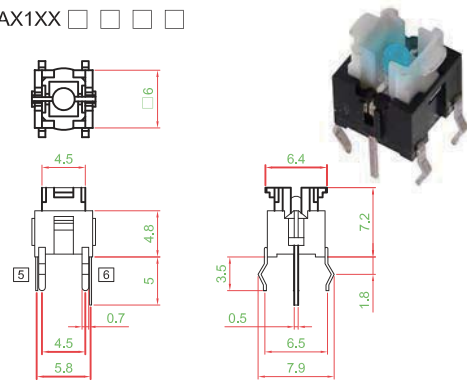


▶ FRAME TYPE OPTION

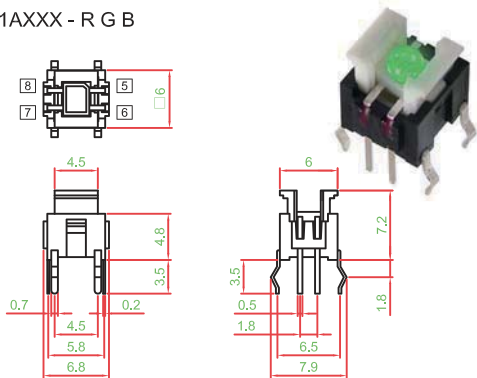
TC002-N11AXXX □ □ □ □



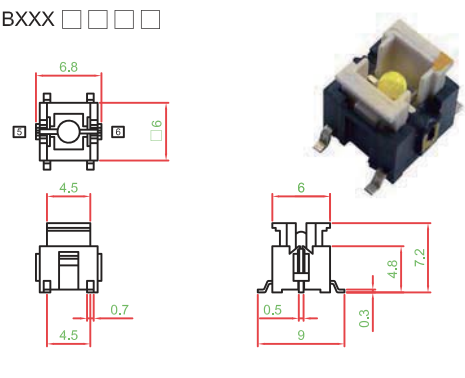
TC002-N11AX1XX □ □ □ □



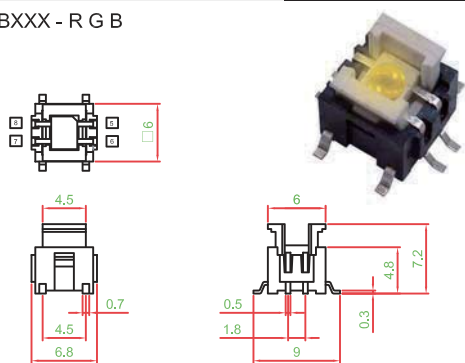
TC002-N11AXXX - R G B



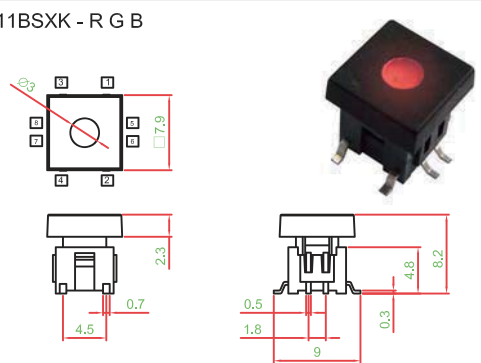
TC002-N11BXXX □ □ □ □



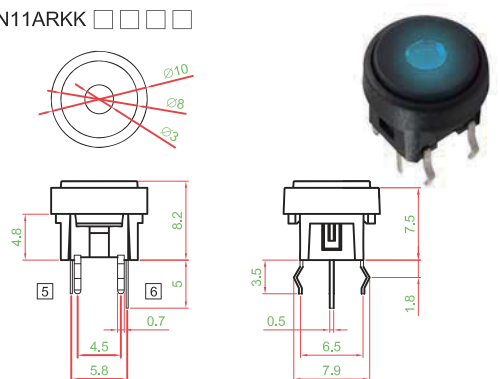
TC002-N11BXXX - R G B



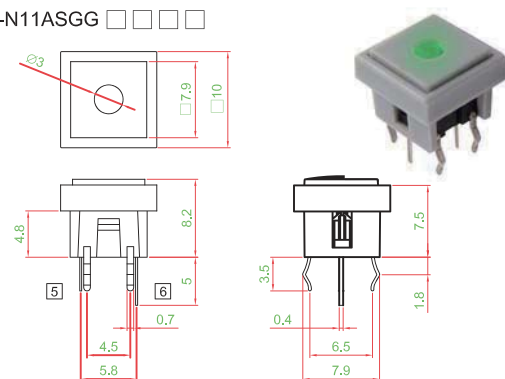
TC002-N11BSXK - R G B



TC002-N11ARKK □ □ □ □

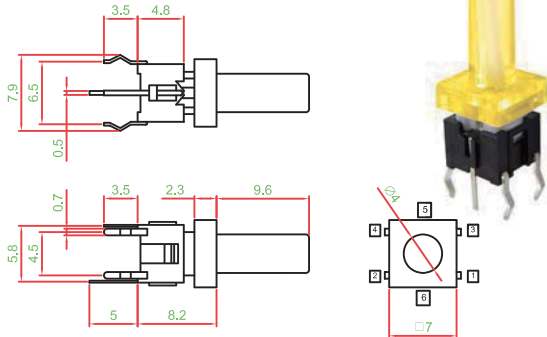


TC002-N11ASGG □ □ □ □

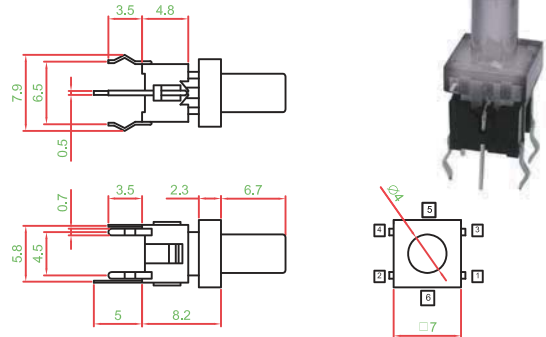


▶ FRAME TYPE OPTION

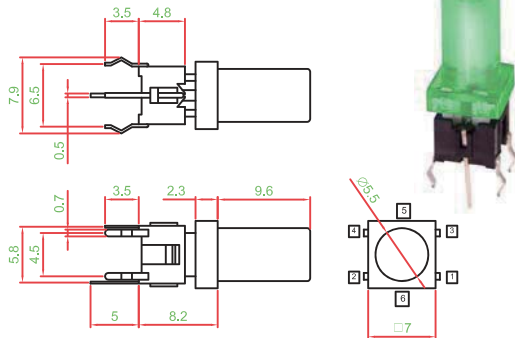
TC002-N11AS1XT



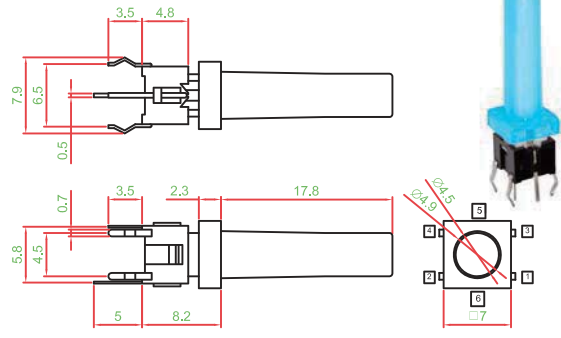
TC002-N11AS1AXT



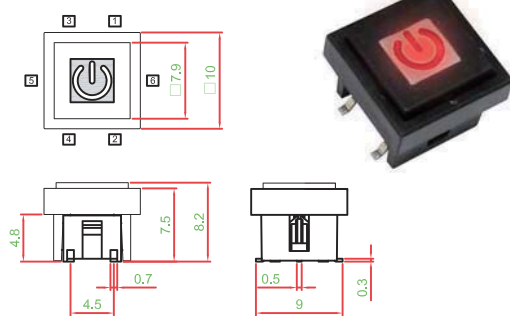
TC002-N11AS2XNT



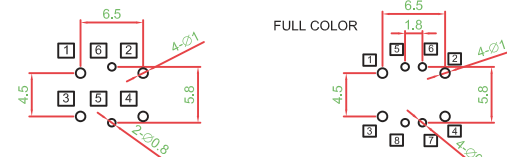
TC002-N11AS3X WT



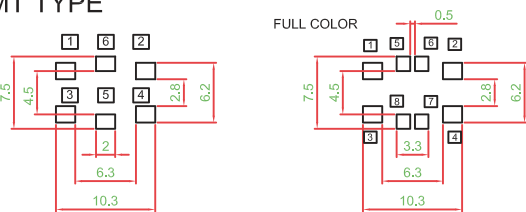
TC002-N11BS4KK SK3



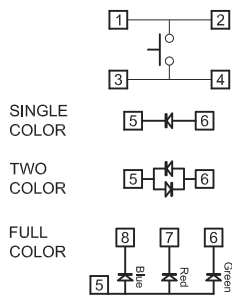
P.C.B TYPE



SMT TYPE



▶ CIRCUIT



▶ MATERIAL

- COVER - PA or PC
- ACTUATOR - PA
- BASE FRAME - PA
- TERMINAL - BRASS SILVER PLATING

▶ REFLOW SOLDERING

