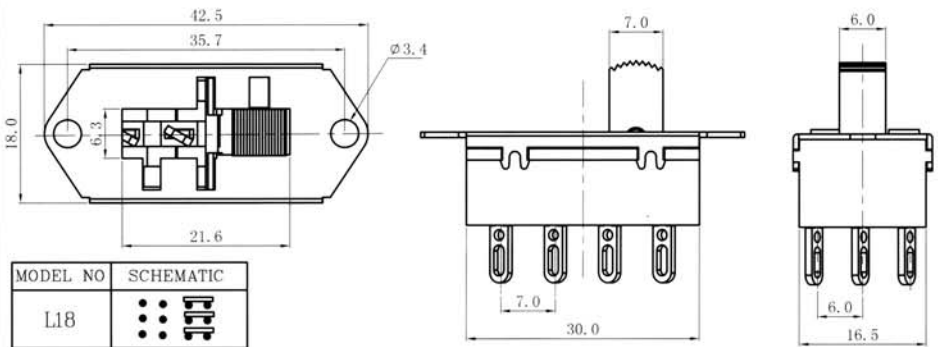
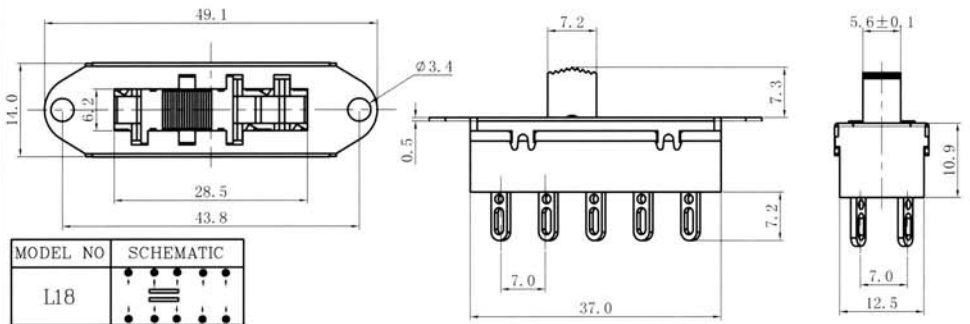
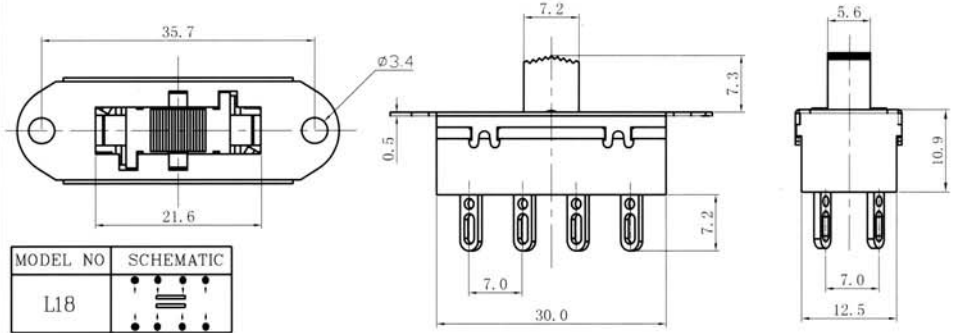


L18

SERIES SWITCHES



SPECIFICATION

Contact Rating :10A 125/250VAC ()
:10(1)A 250V~ μ 85 ()
Contact Resistance :50 milliohms max.
Insulation Resistance :500 Megohms min. 500VDC

Withstand Voltage :2,000 VAC-1 minute
Endurance :10,000 Cycles
Operating Force :600±200gf

