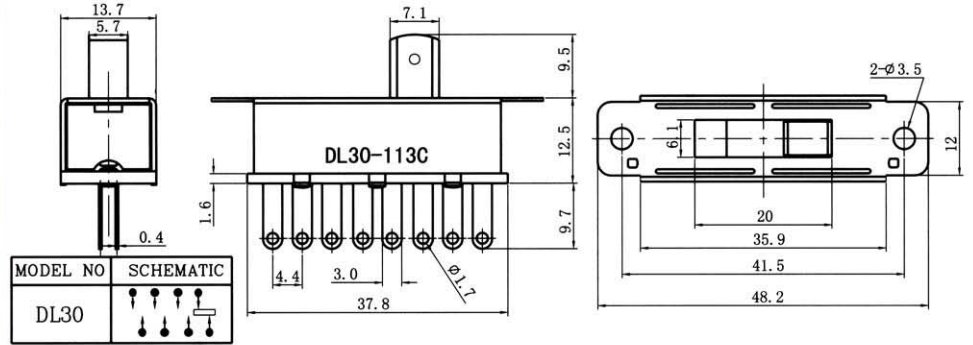


## DL30

## SERIES SWITCHES



### SPECIFICATION

Contact Rating :10A 125VAC 5A250VAC ( )  
Contact Resistance :30 milliohms max.  
Insulation Resistance :500 Megohms min. 500VDC

Withstand Voltage :1,000 VAC-1 minute  
Endurance :10,000 Cycles  
Operating Force :400 $\pm$ 200gf

