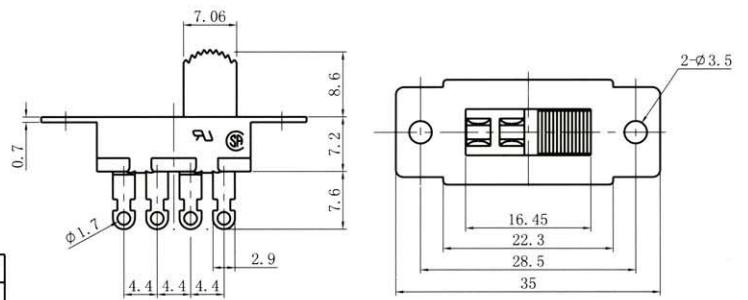
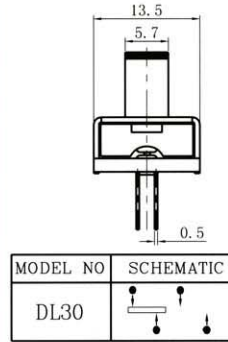
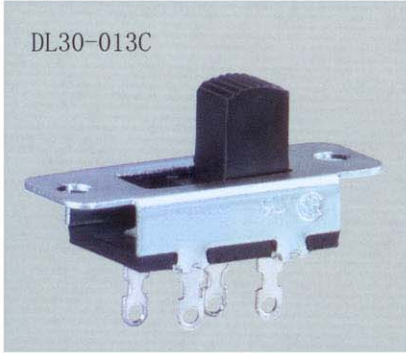


DL30

SERIES SWITCHES



SPECIFICATION

Contact Rating : 10A 125VAC 5A250VAC ()
 Contact Resistance : 30 milliohms max.
 Insulation Resistance : 500 Megohms min. 500VDC

Withstand Voltage : 1,000 VAC-1 minute
 Endurance : 10,000 Cycles
 Operating Force : 400 \pm 200gf

