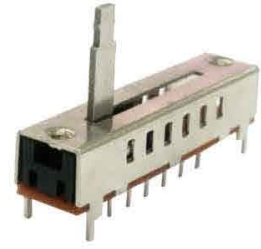


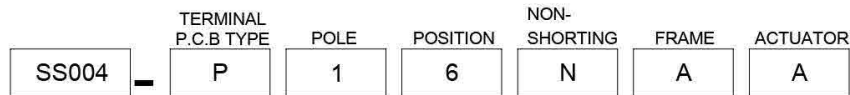
Feature :  
PCB terminal

Application :  
Consumer products  
Computer products  
Instrumentation  
Communication equipments



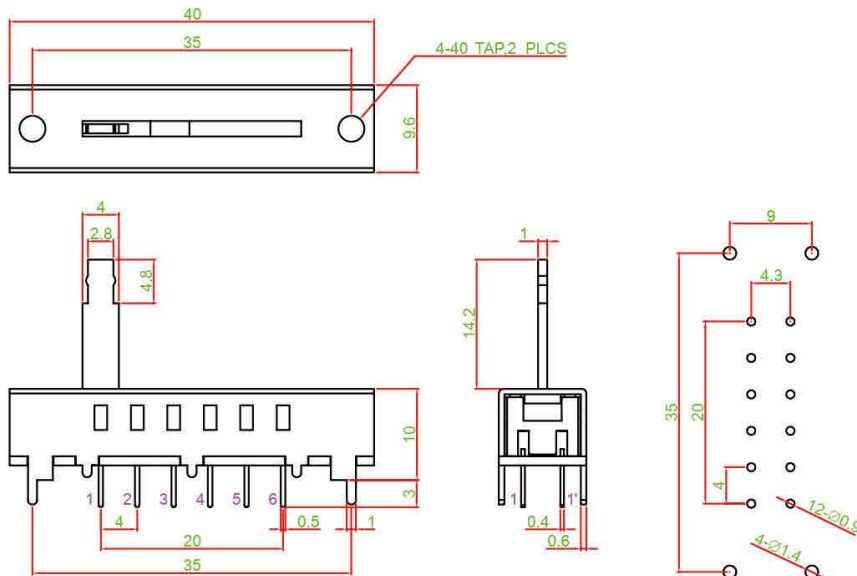
SWITCH SPECIFICATIONS	
POLE - POSITION	1P6T , P.C.B TYPE
CONTACT RATING	30 V DC , 0.2 A
CONTACT RESISTANCE	30 mΩ MAX. 1.5 V DC ; 100 mA, by Method of Voltage DROP
INSULATION RESISTANCE	100 MΩ MIN. 500 V DC
DIELECTRIC STRENGTH	Breakdown is not Allowable ; 500 V AC for 1 Minute
OPERATING FORCE	250 ± 100gf MAX.
OPERATING LIFE	10,000 cycles
OPERATING TEMPERATURE RANGE	-40°C ~ 85°C
TOTAL TRAVEL	4 ± 0.3 mm

### HOW TO ORDER



### DIMENSION

· SS004-P16NAA



### CIRCUIT

